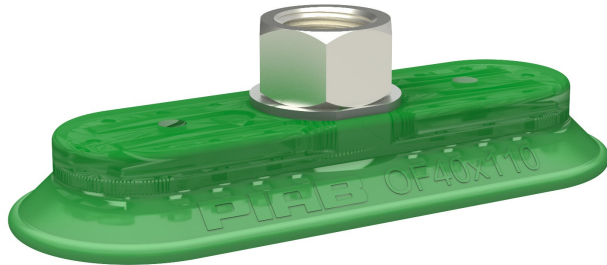


Suction cup OF40x110P Polyurethane 60, 3/8" NPSF female, 0108265



- Suitable for flat and rough surfaces.
- Fair stability and little inherent movement.
- Recommended when the lifting force is parallel to the surface of the object.
- Cleats prevent thin, sensitive objects from being deformed and give extra friction when the lifting force is parallel to the surface of the object.
- DURAFLEX® are suction cups manufactured in a specially developed material that features the elasticity of rubber and wear resistance of polyurethane. The material does not leave any marks on the objects handled.

General

Curve radius	77 mm
Movement, vertical max.	3.1 mm
Application	Mark Free
Material	Polyurethane (PU60)
Suction cup model	OF
Suction cup shape	Oval Flat
Volume	21 cm ³
Weight	48 g

Fitting

Fitting size	1/8"
Fitting style	Female
Fitting type	NPSF-thread
Fitting option	None

Dimension

Height	30.5 mm
Outer diameter	113 mm
Width	43 mm

Performance — lifting forces

		
20 -kPa	74 N	98 N
60 -kPa	200 N	228 N
90 -kPa	303 N	410 N

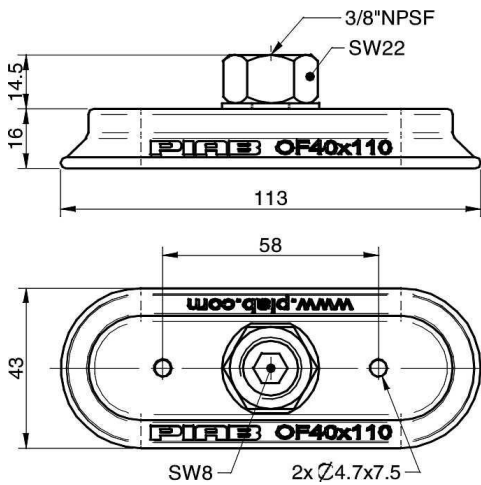
Material

	Polyurethane (PU60)
Colour	Green transparent
Hardness	60 Shore A
Temperature	10 – 50 °C

Material resistance

	Polyurethane (PU60)
Alcohol	N/A
Concentrated acids	+
Ethanol	+
Hydrolysis	+
Methanol	-
Oil	+++
Oxidation	-
Petrol	+
Wear resistance	+++
Weather and ozone	+++

Dimensional drawings



Spare parts

	Item no.
Suction cup OF40x110P Polyurethane 60	0109906

Accessories

	Item no.
Suction cup OF40x110P Polyurethane 40	0109907