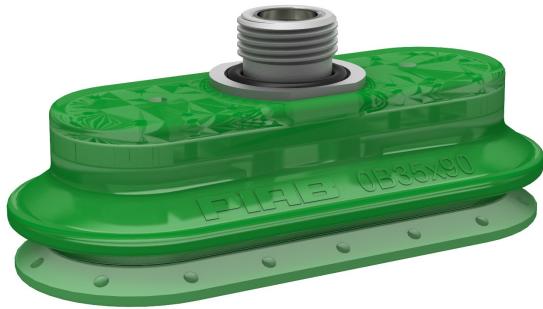


# Suction cup OB35x90P Polyurethane 60, thread insert G3/8" with mesh filter for Vacuum Gripper System (VGS), OB35x90P.5E.G40M



- Suitable for level adjustment. Can handle objects with height differences and varying shapes, for example embossed or corrugated plates.
- Lifting movement to separate small and thin objects.
- Dual hardness allowing strength and stability in conjunction with softness and flexibility.
- DURAFLEX® material features the elasticity of rubber in combination with the wear resistance of polyurethane.
- The DURAFLEX® material is mark-free.

## General

Curve radius	1.18 in
Movement, vertical max.	0.41 in
Application	Mark Free
Material	Polyurethane (PU60)
Suction cup model	OB
Suction cup shape	Oval Bellows
Volume	2.32 in <sup>3</sup>
Weight	1.94 oz

## Fitting

Fitting size	3/8"
Fitting style	Male
Fitting type	G-thread
Fitting option	Filter mesh

## Dimension

Height	1.47 in
Outer diameter	3.76 in
Width	1.67 in

## Performance — lifting forces

		
6 -inHg	9.44 lbf	7.19 lbf
18 -inHg	26.3 lbf	19.1 lbf
27 -inHg	41.6 lbf	25 lbf

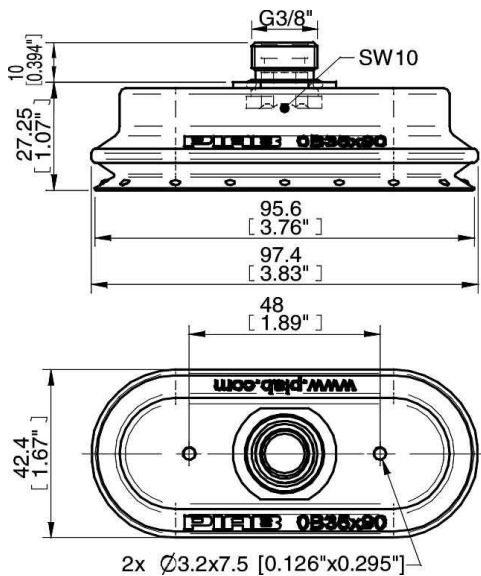
## Material

	Polyurethane (PU60)
Color	Green transparent
Hardness	60 Shore A
Temperature	50 – 122 °F

## Material resistance

	Polyurethane (PU60)
Alcohol	N/A
Concentrated acids	+
Ethanol	+
Hydrolysis	+
Methanol	-
Oil	+++
Oxidation	-
Gasoline	+
Wear resistance	+++
Weather and ozone	+++

## Dimensional drawings



## Spare parts

	Part no.
Thread insert G3/8" male, with O-ring and mesh filter for Vacuum Gripper System (VGS)	01.07.148
Suction cup OB35x90P Polyurethane 60 with collar for Vacuum Gripper System (VGS)	OB35x90P.5E

## Accessories

	Part no.
Suction cup OB35x90P Polyurethane 30/60 with collar for Vacuum Gripper System (VGS)	OB35x90P.5K

