

Suction cup F40-2 Silicone FCM, 1/4" NPT male, with mesh filter, F40-2.21.04AC



- The silicone material complies with FDA 21 CFR 177.2600 & EU 1935/2004.
- Suitable for flat objects.
- Good stability and little inherent movement.
- Recommended when the lifting force is parallel to the surface of the object.
- Cleats prevent thin, sensitive objects from being deformed and gives extra friction when the lifting force is parallel.

General

Curve radius	2.05 in
Movement, vertical max.	0.10 in
Application	Food contact materials (FDA & EU), non-detectable
Material	Silicone (SIL FDA)
Suction cup model	F
Suction cup shape	Flat
Volume	0.29 in ³
Weight	0.19 oz

Fitting

Fitting size	1/4"
Fitting style	Male
Fitting type	NPT-thread
Fitting option	Filter mesh

Dimension

Height	1.10 in
Outer diameter	1.65 in

Performance — lifting forces

		
6 -inHg	4.5 lbf	3.37 lbf
18 -inHg	8.99 lbf	5.62 lbf
27 -inHg	11.2 lbf	6.74 lbf

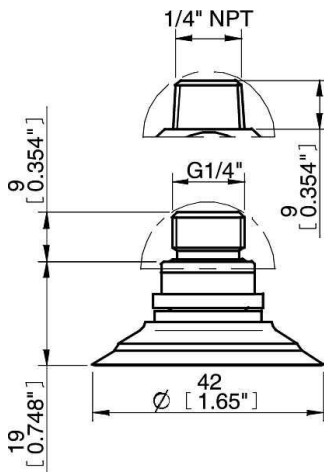
Material

	Silicone (SIL FDA)
Color	Transparent
Hardness	50 Shore A
Temperature	-40 – 392 °F

Material resistance

	Silicone (SIL FDA)
Alcohol	++
Concentrated acids	-
Ethanol	N/A
Hydrolysis	+
Methanol	N/A
Oil	-
Oxidation	+++
Gasoline	-
Wear resistance	++
Weather and ozone	+++

Dimensional drawings



Spare parts

	Part no.
Fitting 1/4" NPT male, with mesh filter	04AC
Suction cup F40-2 Silicone FCM	F40-2.21

Accessories

	Part no.
Fitting 1/8" NPSF female, 30-40, with mesh filter	04AG
Fitting G1/4" male, 30-40, with mesh filter	04AB