

# Suction cup F30MF Thermoelastic polyurethane, G1/8" male/M5 female

, F30MF.40.02AD



- Suction cup of TPU, a mark free material that leaves no trace on the object being handled.
- Suitable for flat surfaces.
- Good stability and little inherent movement.
- Recommended when the lifting force is parallel to the surface of the object.



## General

Curve radius	1.73 in
Movement, vertical max.	0.06 in
Application	Mark Free
Material	Thermoplastic Polyurethane (TPE-U)
Suction cup model	F-MF
Suction cup shape	Flat
Volume	0.12 in <sup>3</sup>
Weight	0.08 oz

## Fitting

Fitting size	1/8"
Fitting style	Female
Fitting type	G-thread
Fitting option	None

## Dimension

Height	0.69 in
Outer diameter	1.26 in

## Performance — lifting forces

		
6 -inHg	2.47 lbf	3.06 lbf
18 -inHg	7.76 lbf	6.29 lbf
27 -inHg	10.8 lbf	9.44 lbf

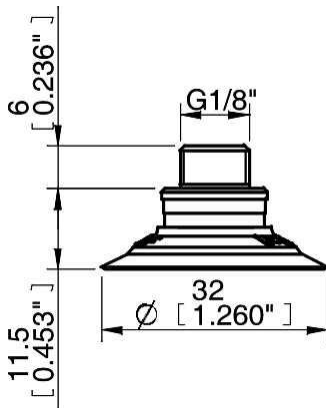
## Material

	Thermoplastic Polyurethane (TPE-U)
Color	White transparent
Hardness	81 °Shore A
Temperature	-4 – 176 °F

## Material resistance

	Thermoplastic Polyurethane (TPE-U)
Alcohol	++
Concentrated acids	-
Ethanol	N/A
Hydrolysis	-
Methanol	N/A
Oil	+++
Oxidation	++
Gasoline	-
Wear resistance	+++
Weather and ozone	+++

## Dimensional drawings



## Spare parts

	Part no.
Suction cup F30MF Thermoelastic polyurethane	F30MF.40
Fitting G1/8" male/M5 female	02AD

## Accessories

	Part no.
Fitting M5 female	02AA
Fitting M5 female, with dual flow control valve	02DA
Fitting G1/8" male, with mesh filter	02AB
Fitting G1/8" male, with mesh filter and dual flow control valve	02DB
Fitting G1/8" male/M5 female, with mesh filter	02AF
Fitting G1/8" male/M5 female, with dual flow control valve	02DD
Fitting 5xM5 female	02AE
Fitting 5xM5 female, with dual flow control valve	02DE
Fitting G1/8" male/M5 female, PA	02CD
Fitting 1/8" NPT male, with dual flow control valve	02DC
Fitting 1/8" NPT male, with mesh filter	02AC