

Suction cup D30-2 Silicone FCM, G1/8" male, with mesh filter, D30-2.21.02AB



- The silicone material complies with FDA 21 CFR 177.2600 & EU 1935/2004.
- Suitable for objects with curved or irregular surfaces.
- Grips around corners and edges.

General

Curve radius	0.51 in
Movement, vertical max.	0.20 in
Application	Food contact materials (FDA & EU), non-detectable
Material	Silicone (SIL FDA)
Suction cup model	D
Suction cup shape	Deep
Volume	0.31 in ³
Weight	0.14 oz

Fitting

Fitting size	1/8"
Fitting style	Male
Fitting type	G-thread
Fitting option	Filter mesh

Dimension

Height	1.23 in
Outer diameter	1.26 in

Performance — lifting forces

6 -inHg		3.15 lbf
18 -inHg		5.85 lbf
27 -inHg		6.97 lbf

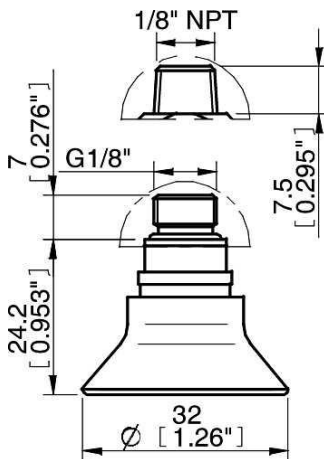
Material

	Silicone (SIL FDA)
Color	Transparent
Hardness	50 Shore A
Temperature	-40 – 392 °F

Material resistance

	Silicone (SIL FDA)
Alcohol	++
Concentrated acids	-
Ethanol	N/A
Hydrolysis	+
Methanol	N/A
Oil	-
Oxidation	+++
Gasoline	-
Wear resistance	++
Weather and ozone	+++

Dimensional drawings



Spare parts

	Part no.
Fitting G1/8" male, with mesh filter	02AB
Suction cup D30-2 Silicone FCM	D30-2.21

Accessories

	Part no.
Fitting 1/8" NPT male, with mesh filter	02AC
Fitting G1/8" male/M5 female, with mesh filter	02AF