

Suction cup D20-2 Silicone, M5 female

, D20-2.20.02AA



- Suitable for objects with curved or irregular surfaces
- Grips around corners and edges.



General

Curve radius	0.31 in
Movement, vertical max.	0.18 in
Application	Plastic injection molded parts
Material	Silicone (SIL)
Suction cup model	D
Suction cup shape	Deep
Volume	0.15 in ³
Weight	0.08 oz

Fitting

Fitting size	None
Fitting style	Female
Fitting type	M-thread
Fitting option	None

Dimension

Height	0.76 in
Outer diameter	0.87 in

Performance — lifting forces

6 -inHg		1.33 lbf
18 -inHg		3.37 lbf
27 -inHg		4.05 lbf

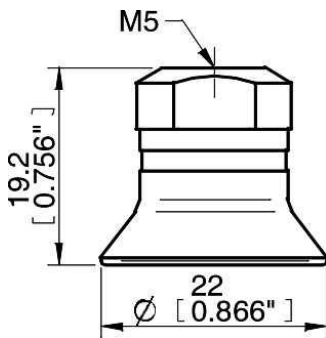
Material

	Silicone (SIL)
Color	Red
Hardness	50 Shore A
Temperature	-40 – 392 °F

Material resistance

	Silicone (SIL)
Alcohol	++
Concentrated acids	-
Ethanol	N/A
Hydrolysis	+
Methanol	N/A
Oil	-
Oxidation	+++
Gasoline	-
Wear resistance	++
Weather and ozone	+++

Dimensional drawings



Spare parts

	Part no.
Suction cup D20-2 Silicone	D20-2.20
Fitting M5 female	02AA

Accessories

	Part no.
Suction cup D20-2 Chloroprene	D20-2.10
Fitting G1/8" male, with mesh filter	02AB
Fitting 1/8" NPT male, with mesh filter	02AC
Fitting G1/8" male/M5 female	02AD
Fitting 5xM5 female	02AE
Fitting G1/8" male/M5 female, with mesh filter	02AF
Fitting G1/8" male/M5 female, PA	02CD
Fitting M5 female, with dual flow control valve	02DA
Fitting G1/8" male, with mesh filter and dual flow control valve	02DB
Fitting 1/8" NPT male, with dual flow control valve	02DC
Fitting G1/8" male/M5 female, with dual flow control valve	02DD
Fitting 5xM5 female, with dual flow control valve	02DE