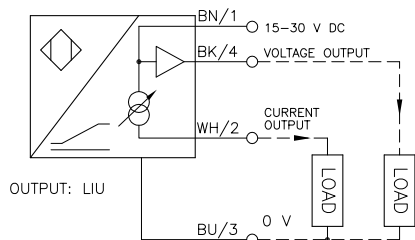
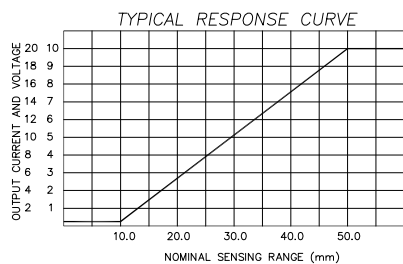
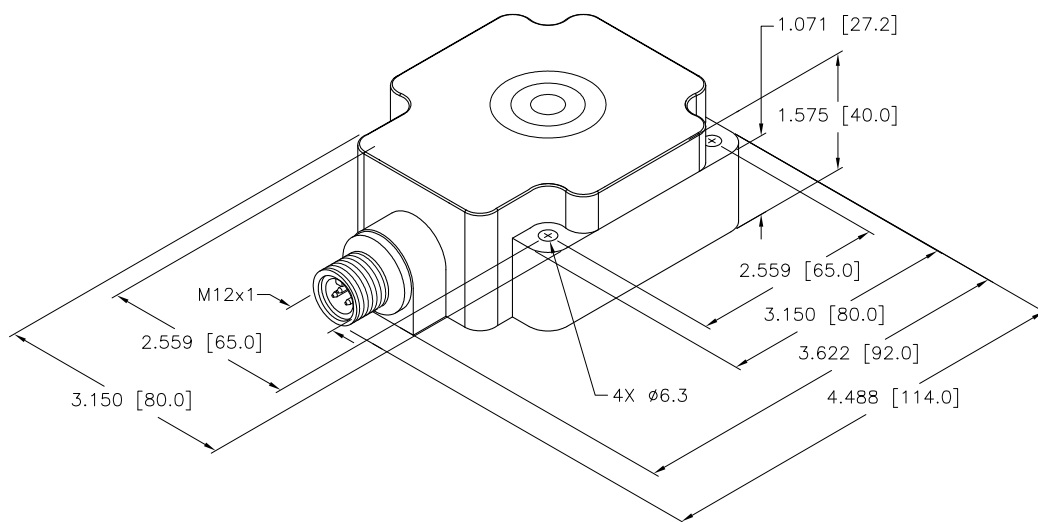


WIRING DIAGRAM



SPECIFICATIONS

MEASURING RANGE [A...B]	10.0-50.0 mm
MIN. REPEAT ACCURACY	≤1%
MAX. RELATIVE TEMPERATURE DRIFT	≤ ±0.06%/C°
OPERATING TEMPERATURE	-10°C to +70°C (-14°F to +158°F)
OPERATING VOLTAGE	15-30 VDC
RIPPLE	≤10%
NO-LOAD CURRENT	≤ 8 mA
RATED INSULATION VOLTAGE	≤ 0.5 kV
OUTPUT FUNCTION	4-WIRE, ANALOG
SHORT-CIRCUIT PROTECTED	YES
WIRE-BREAK PROTECTION	INCORPORATED
REVERSE POLARITY PROTECTION	INCORPORATED
VOLTAGE OUTPUT	0-10 V
CURRENT OUTPUT	0-20 mA
LINEARITY TOLERANCE	≤ 5% OF FINAL VALUE
VOLTAGE OUTPUT LOAD RESISTANCE	≥ 4.7 kΩ
CURRENT OUTPUT LOAD RESISTOR	≤ 0.4 kΩ
READING RATE FREQUENCY	30 Hz
DEGREE OF PROTECTION	IP 67
HOUSING MATERIAL	PLASTIC, PBT-GF30-V0
ACTIVE FACE	PLASTIC, PBT-GF30-V0



RELATED DOCUMENTS 1. 2. 3. 4.	3RD ANGLE PROJECTION 	THIS DRAWING IS PROPERTY OF TURCK INC. USE OF THIS DOCUMENT WITHOUT WRITTEN PERMISSION IS PROHIBITED.		TURCK INC High Technology Sensors and Automation Controls 3000 CAMPUS DRIVE MINNEAPOLIS, MN 55441 1-800-544-7769 (763) 553-7300 (763) 553-0708 fax turck.com	
	MATERIAL	DRFT RDS	DATE 08/02/02	DESCRIPTION Ni50-Q80-LiU-H1141	
FINISH	ALL DIMENSIONS DISPLAYED ON THIS DRAWING ARE FOR REFERENCE ONLY	DSGN	SCALE NONE	IDENTIFICATION NO. M1535545	
CONTACT TURCK FOR MORE INFORMATION		UNIT OF MEASUREMENT INCH [MILLIMETER]		REV B	
DO NOT SCALE THIS DRAWING		FILE: M1535545		SHEET 1 OF 1	

B	UPDATE READ RATE FREQUENCY	CK	02/09/11	34185
REV	DESCRIPTION	BY	DATE	ECO NO.