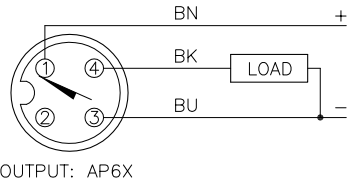
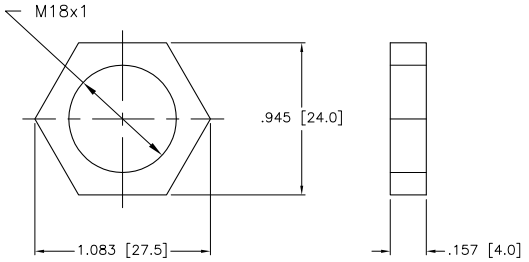
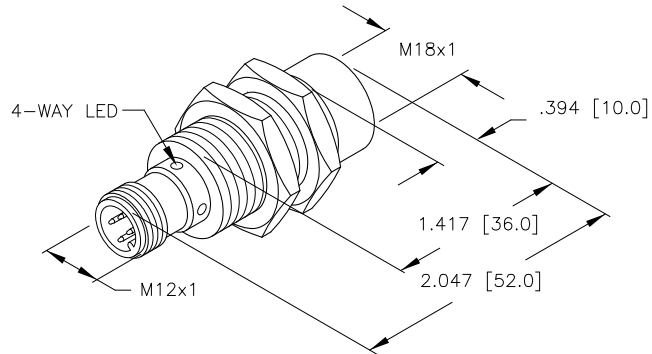


WIRING DIAGRAM	LOCKNUT LN-SS18	SPECIFICATIONS	
 <p>OUTPUT: AP6X</p> <p>SHORT-CIRCUIT AND OVERLOAD PROTECTED</p>		OPERATING VOLTAGE	10-30 VDC
		DIFFERENTIAL TRAVEL (HYSTERESIS)	3-15% (5% TYPICAL)
VOLTAGE DROP ACROSS CONDUCTING SENSOR	≤1.8 V at 200 mA		
OUTPUT FUNCTION	NORMALLY OPEN, 3-WIRE DC		
TTL COMPATIBLE	NO		
SHORT-CIRCUIT PROTECTED	YES		
TRIGGER CURRENT FOR OVERLOAD PROTECTION	≥ 220 mA		
CONTINUOUS LOAD CURRENT	≤ 200 mA		
OFF-STATE (LEAKAGE) CURRENT	<100 μA		
NO-LOAD CURRENT	≤ 15 ms		
TIME DELAY BEFORE AVAILABILITY	≤ 8 ms		
POWER-ON EFFECT	Per IEC 60947-5-2		
REVERSE POLARITY PROTECTION	YES		
WIRE-BREAK PROTECTION	YES		
TRANSIENT PROTECTION	Per EN 60947-5-2		
OPERATING TEMPERATURE	-25°C to +70°C (-13°F to +158°F)		
ENCLOSURE	MEETS NEMA 1, 3, 4, 6, 13 AND IEC IP67		
SHOCK	30 g, 11 ms		
VIBRATION	55 Hz, 1 mm AMPLITUDE (IN ALL 3 PLANES)		
LED FUNCTION	YELLOW: OUTPUT ENERGIZED		
SENSING RANGE	12 mm = .472" (NOMINAL)		
SWITCHING FREQUENCY	2000 Hz		
REPEATABILITY	≤ 2% of RATED OPERATING DISTANCE		
EMBEDDABLE (SHIELDED)	NO		
MATING PLUGS/CABLES	4-PIN "EUROFAST" CONSTRUCTION (STAINLESS STEEL)		



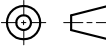
SOURCE DRAWING - FOR REFERENCE ONLY

NOTES:

1. UPROX HAS FIELD IMMUNITY, SENSOR IS SUITABLE FOR USE ON RESISTANCE MACHINES.

2. MATERIALS:

BARREL - STAINLESS STEEL
 LOCKNUTS - STAINLESS STEEL
 CONNECTOR - STAINLESS STEEL
 SENSING FACE - PA12-GF30 PLASTIC

RELATED DOCUMENTS 1. 2. 3. 4.	3RD ANGLE PROJECTION 	THIS DRAWING IS PROPERTY OF TURCK INC. USE OF THIS DOCUMENT WITHOUT WRITTEN PERMISSION IS PROHIBITED.	<div style="text-align: right;"> <p>3000 CAMPUS DRIVE MINNEAPOLIS, MN 55441 1-800-544-7769 (763) 553-7300 (763) 553-0708 fax turck.com</p> </div> <p>TURCK INC <i>High Technology Sensors and Automation Controls</i></p>	
MATERIAL SEE NOTE 2	ALL DIMENSIONS DISPLAYED ON THIS DRAWING ARE FOR REFERENCE ONLY	DRFT RDS DATE 07/21/05	DESCRIPTION NI15U-EM18-AP6X-H1141	
FINISH COPPER/NICKEL CHROME PLATING	CONTACT TURCK FOR MORE INFORMATION	DSGN EH SCALE 1=2.0	UNIT OF MEASUREMENT INCH [MILLIMETER]	
		DO NOT SCALE THIS DRAWING	IDENTIFICATION NO. M1635332	REV A
A DRAWING RELEASE RDS 07/21/05	BY DATE ECO NO.		FILE: M1635332	SHEET 1 OF 1