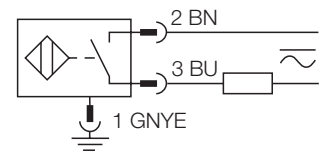


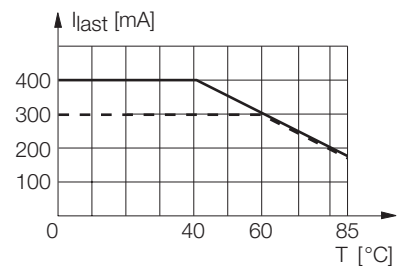
- Threaded barrel, M18 x 1
- Chrome-plated brass
- factor 1 for all metals
- magnetic field immune
- extended temperature range
- high switching frequency
- AC 2-wire, 20...250 VAC
- 2-wire DC, 10...300 VDC
- normally open
- connector, 7/8"

Wiring diagram



Functional principle

Inductive sensors are designed for wear-free and non-contact detection of metal objects. Due to a ferrite-less 3-coil system, uprox factor 1 sensors have distinct advantages. They detect all metals at the same switching distance, are magnetic field immune and feature large switching distances.

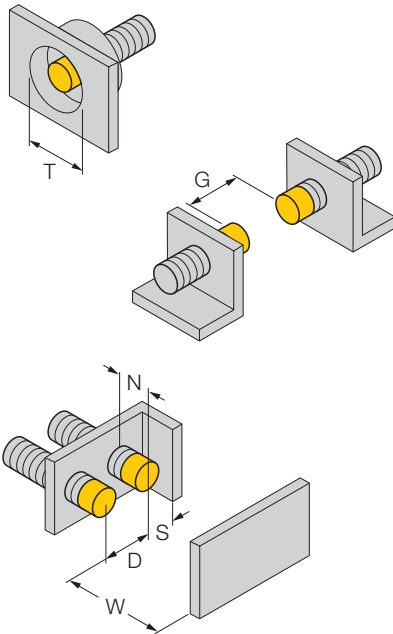


Type	Ni12U-G18-ADZ30X2-B1331
Ident-No.	4281412
Rated operating distance Sn	12 mm
Mounting condition	non-flush
Assured sensing range	≤ (0,81 x Sn) mm
Repeatability	≤ 2 %
Temperature drift	≤ ± 10 %
Hysteresis	≤ ± 15 %, ≤ -25 °C v ≥ +70 °C
Ambient temperature	-30... + 85 °C
Operating voltage	20... 250VAC
Operating voltage	10... 300VDC
AC rated operational current	≤ 400 mA
DC rated operational current	≤ 300 mA
Frequency	50... 60 Hz
Residual current	≤ 1.7 mA
Rated insulation voltage	≤ 1.5 kV
Surge current	≤ 3 A (≤ 20 ms max. 5 Hz)
Short-circuit protection	yes / latching
Voltage drop at I _e	≤ 6V
Wire breakage / Reverse polarity protection	yes / complete
Output function	2-wire, normally open
Smallest operating current I _m	≥ 3 mA
Insulation class	□
Switching frequency	≤ 0.02 kHz
Housing	threaded barrel, M18 x 1
Dimensions	82 mm
Housing material	metal, CuZn, chrome-plated
Material active face	plastic, PBT
Tightening torque of housing nut	25 Nm
Connection	connectors, 7/8"
Vibration resistance	55 Hz (1 mm)
Shock resistance	30g (11 ms)
Degree of protection	IP67
Operating voltage display	LED green
Display switch state	LED yellow

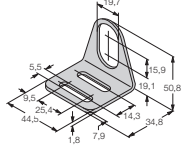
Inductive sensor
Ni12U-G18-ADZ30X2-B1331

Mounting instructions	minimum distances
Distance D	3 x B
Distance W	3 x Sn
Distance T	3 x B
Distance S	1,5 x B
Distance G	6 x Sn
Distance N	2 x Sn

Diameter of the active area B	Ø 18 mm
--------------------------------------	---------



Accessories

Type code	Ident-No.	Short text	Dimension drawing
MW-18	6945004	mounting bracket; material: stainless steel A2 1.4301 (AISI 304)	
BSS-18	6901320	fixing clamp; material: polypropylene	