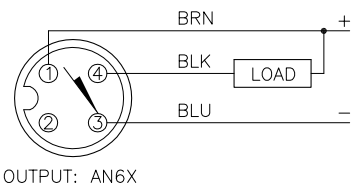
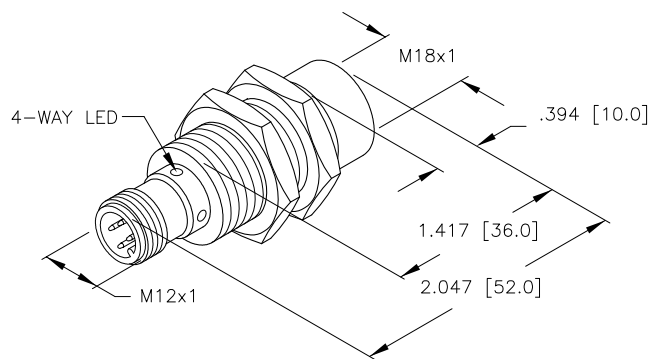
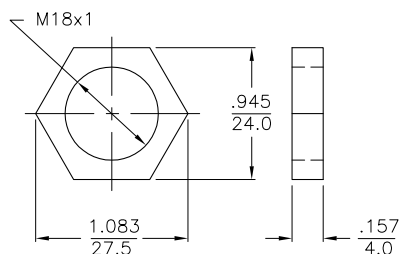


WIRING DIAGRAM



SHORT-CIRCUIT AND OVERLOAD PROTECTED

LOCKNUT LN-SS18



SPECIFICATIONS

OPERATING VOLTAGE	10-30 VDC
DIFFERENTIAL TRAVEL (HYSTERESIS)	3-15% (5% TYPICAL)
VOLTAGE DROP ACROSS CONDUCTING SENSOR	≤1.8 V at 200 mA
OUTPUT FUNCTION	NORMALLY OPEN 3-WIRE DC
SHORT-CIRCUIT PROTECTED	YES
TRIGGER CURRENT FOR OVERLOAD PROTECTION	≥ 220 mA
CONTINUOUS LOAD CURRENT	≤ 200 mA
OFF-STATE (LEAKAGE) CURRENT	≤ 0.1 mA
NO-LOAD CURRENT	≤ 15 ms
TIME DELAY BEFORE AVAILABILITY	≤ 8 ms
POWER-ON EFFECT	PER IEC 60947-5-2
REVERSE POLARITY PROTECTION	YES
WIRE-BREAK PROTECTION	YES
TRANSIENT PROTECTION	Per EN 60947-5-2
OPERATING TEMPERATURE (10% DRIFT)	-25°C to +70°C (-13°F to +158°F)
ENCLOSURE	MEETS NEMA 1, 3, 4, 6, 13 AND IEC IP67
SHOCK	30 g, 11 ms
VIBRATION	55 Hz, 1 mm AMPLITUDE (IN ALL 3 PLANES)
LED FUNCTION	YELLOW: OUTPUT ENERGIZED
SENSING RANGE	12 mm = .472" (NOMINAL)
SWITCHING FREQUENCY	2000 Hz
REPEATABILITY	≤ 2% of RATED OPERATING DISTANCE
EMBEDDABLE (SHIELDED)	NO
MATING PLUGS/CABLES	4-PIN "EUROFAST" CONSTRUCTION (SST)

NOTES:

- UPROX HAS FIELD IMMUNITY, SENSOR IS SUITABLE FOR USE ON RESISTANCE MACHINES.
- MATERIALS:
 BARREL - STAINLESS STEEL
 LOCKNUTS - STAINLESS STEEL
 CONNECTOR - STAINLESS STEEL
 SENSING FACE - PA12-GF30 PLASTIC

SOURCE DRAWING - FOR REFERENCE ONLY

RELATED DOCUMENTS		3RD ANGLE PROJECTION		THIS DRAWING IS PROPERTY OF TURCK INC. USE OF THIS DOCUMENT WITHOUT WRITTEN PERMISSION IS PROHIBITED.		3000 CAMPUS DRIVE MINNEAPOLIS, MN 55441 1-800-544-7769 (763) 553-7300 (763) 553-0708 fax turck.com	
1. 2. 3. 4.				DRFT RDS		DATE 07/21/05	
MATERIAL SEE NOTE 2		ALL DIMENSIONS DISPLAYED ON THIS DRAWING ARE FOR REFERENCE ONLY		DSGN EH		SCALE NONE	
FINISH		CONTACT TURCK FOR MORE INFORMATION		UNIT OF MEASUREMENT INCH [MILLIMETER]		DESCRIPTION N112U-EM18-AN6X-H1141	
A DRAWING RELEASE		RDS 07/21/05		IDENTIFICATION NO. M1645350		REV A	
REV DESCRIPTION		BY DATE ECO NO.		DO NOT SCALE THIS DRAWING		FILE: M1645350 SHEET 1 OF 1	