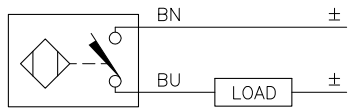


WIRING DIAGRAM

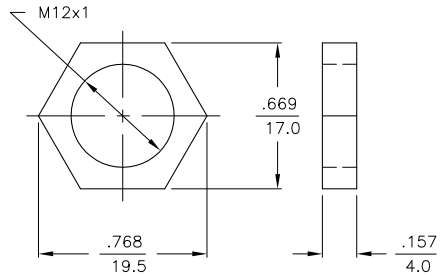
LOCKNUT LN-M12

SPECIFICATIONS

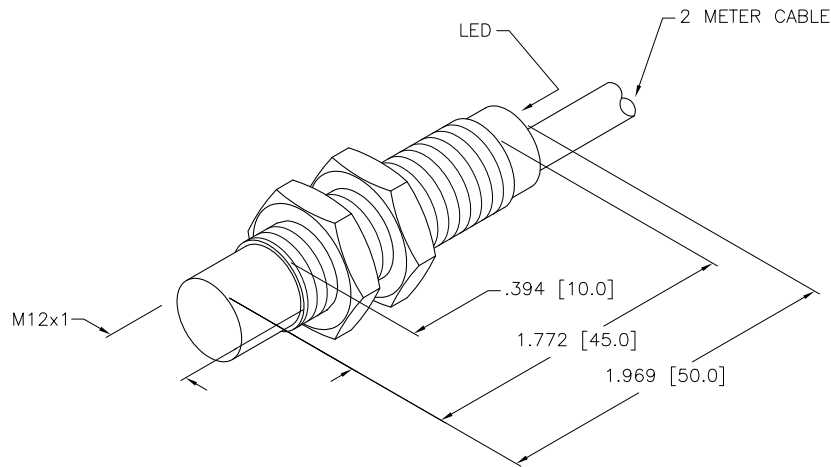


OUTPUT: AD4X

SHORT-CIRCUIT AND OVERLOAD PROTECTED



RATED OPERATING DISTANCE	8 mm = .315"
MOUNTING MODE	NON-FLUSH
TEMPERATURE DRIFT	±10%
HYSTERESIS	1-15%
MIN. REPEAT ACCURACY	≤2%
OPERATING TEMPERATURE	-25°C to +70°C (-13°F to +158°F)
RATED OPERATIONAL VOLTAGE	10-65 VDC
RESIDUAL RIPPLE	≤10%
DC RATED OPERATIONAL CURRENT	≤100 mA
RESIDUAL CURRENT	≤0.6 mA
RATED INSULATION VOLTAGE	≤0.5 kV
SHORT-CIRCUIT PROTECTION	YES
MAX. VOLTAGE DROP	≤5 V
MIN. OPERATIONAL CURRENT	≥3 mA
MAX. SWITCHING FREQUENCY	≤1 kHz
OUTPUT FUNCTION	2-WIRE, NORMALLY OPEN
HOUSING MATERIAL/PLATING	BRASS/CHROME
ACTIVE FACE MATERIAL	PLASTIC, PA12-GF30
END CAP MATERIAL	PLASTIC, EPTR
CABLE	ø5.2, LiFYY, PVC
VIBRATION RESISTANCE	55 Hz (IN ALL 3 PLANES)
SHOCK RESISTANCE	30 g, 11 ms
DEGREE OF PROTECTION	IP 67
SWITCHING STATUS INDICATION	LED, YELLOW



RELATED DOCUMENTS		3RD ANGLE PROJECTION		THIS DRAWING IS CONFIDENTIAL AND THE PROPERTY OF TURCK INC. USE OF THIS DOCUMENT WITHOUT WRITTEN PERMISSION IS PROHIBITED.		 High Technology Sensors and Automation Controls		3000 CAMPUS DRIVE MINNEAPOLIS, MN 55441 1-800-544-7769 (763) 553-7300 (763) 553-0708 fax turck.com	
1. 2. 3. 4.				DRFT	CBM	DATE	09/26/99	DESCRIPTION Ni 8-M12-AD4X	
MATERIAL SEE SPECS				DSGN		SCALE	NONE		
FINISH SEE SPECS		ALL DIMENSIONS DISPLAYED ON THIS DRAWING ARE FOR REFERENCE ONLY CONTACT TURCK FOR MORE INFORMATION		UNIT OF MEASUREMENT INCH [MILLIMETER]		IDENTIFICATION NO. T4411235		REV C	
C REDRAW PART, ADD NOTE 1, UPDATE SPEC, WIR. DIAGRAM				IK		01/05/01		T4222	
REV	DESCRIPTION	BY	DATE	ECO NO.	FILE: T4411235			SHEET 1 OF 1	