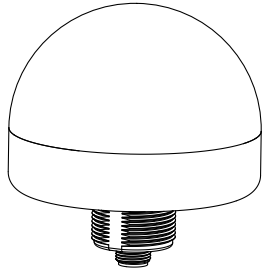


Datasheet

Large multicolor indicator that alternates between active inputs



- Bright, uniform indicator light
- Alternates between colors when multiple inputs are active
- Models are available with up to five colors in one device
- Rugged IP67-rated design
- 12 to 30 V dc operation

Model	# of Colors	Colors	Input	Connection
K90TLGRPQ	2	Green, Red	PNP	5-pin M12/Euro-style Quick Disconnect
K90TLGYRPQ	3	Green, Red, Yellow		
K90TLBGRPQ	4	Blue, Green, Yellow, Red		
K90TLWBGYPQ	5	White, Blue, Green, Yellow, Red		8-pin M12/Euro-style Quick Disconnect
K90TLGRNQ	2	Green, Red	NPN	5-pin M12/Euro-style Quick Disconnect
K90TLGYRNQ	3	Green, Red, Yellow		
K90TLBGRNQ	4	Blue, Green, Yellow, Red		
K90TLWBGYNQ	5	White, Blue, Green, Yellow, Red		8-pin M12/Euro-style Quick Disconnect

Integral quick disconnect models are listed; a mating cordset is required (see [Accessories](#) on page 3).

- To order the 150 mm (5.9 in) PVC pigtail with quick disconnect models, replace Q with QP in the model number, for example, K90TLGRQP.
- To order the 2 m (6.5 ft) cable modes, omit the suffix Q in the model number, for example, K90TLGR.

Specifications

Supply Voltage and Current

12 to 30 V dc
475 mA Max. at 12 V dc
175 mA Max. at 30 V dc

Supply Protection Circuitry

Protected against reverse polarity and transient voltages

Input Response Time

150 ms maximum

Light Characteristics

Color	Typical Wavelength or Color Temperature	Typical Intensity
Red	625 nm	65 lumens
Yellow	590 nm	35 lumens
Green	525 nm	150 lumens
Blue	470 nm	55 lumens
White	6000–7100 K	200 lumens

Construction

Base and dome: Polycarbonate

Connections

Integral 5-pin or 8-pin M12/Euro-style quick disconnect, or 150 mm (5.9 in) PVC pigtail with quick disconnect, or 2 m (6.5 ft) cable, depending on model

Indicators

2 to 5 colors, depending on model

Environmental Rating

IP67

Vibration and Mechanical Shock

All models meet Mil Std. 202F requirements. Method 201A (vibration: 10 to 60 Hz max., double amplitude 0.06", maximum acceleration 10G). Also meets IEC 947-5-2 requirements: 30G 11 ms duration, half sine wave.

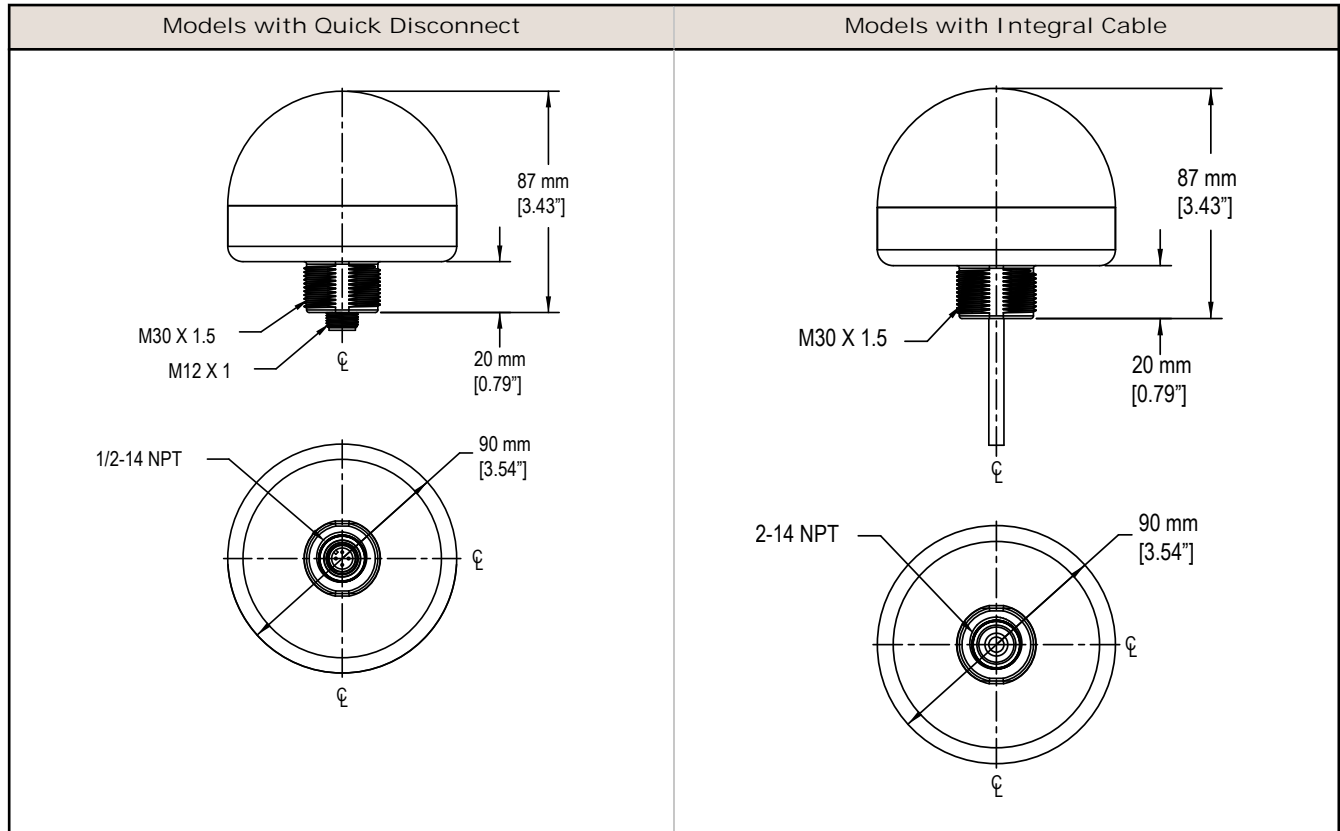
Operating Conditions

–40 °C to +50 °C (–40 °F to +122 °F)

Certifications

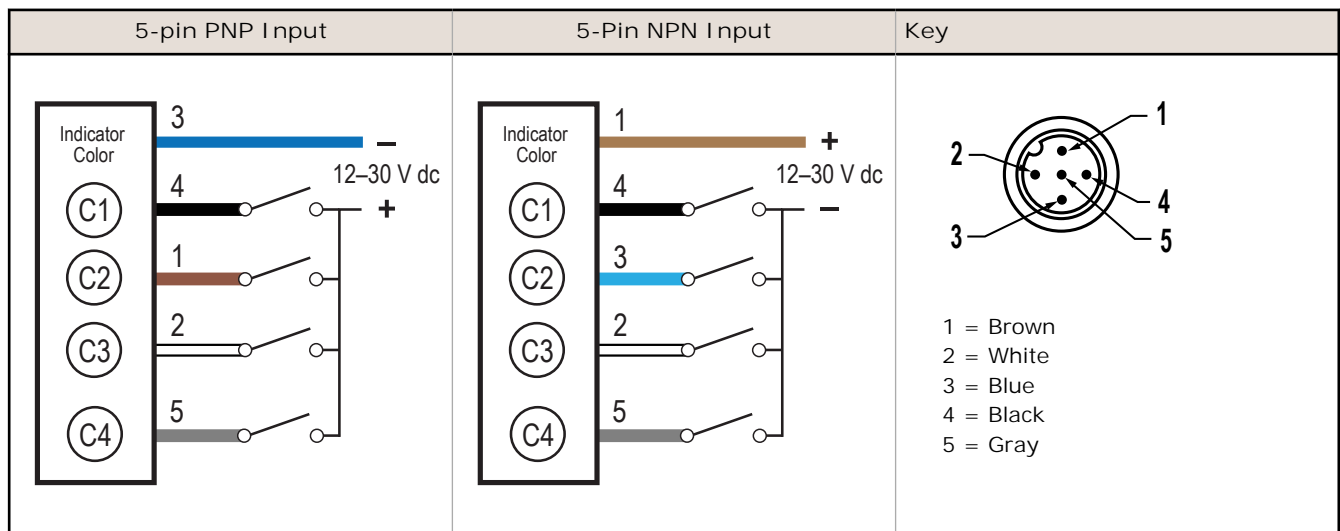


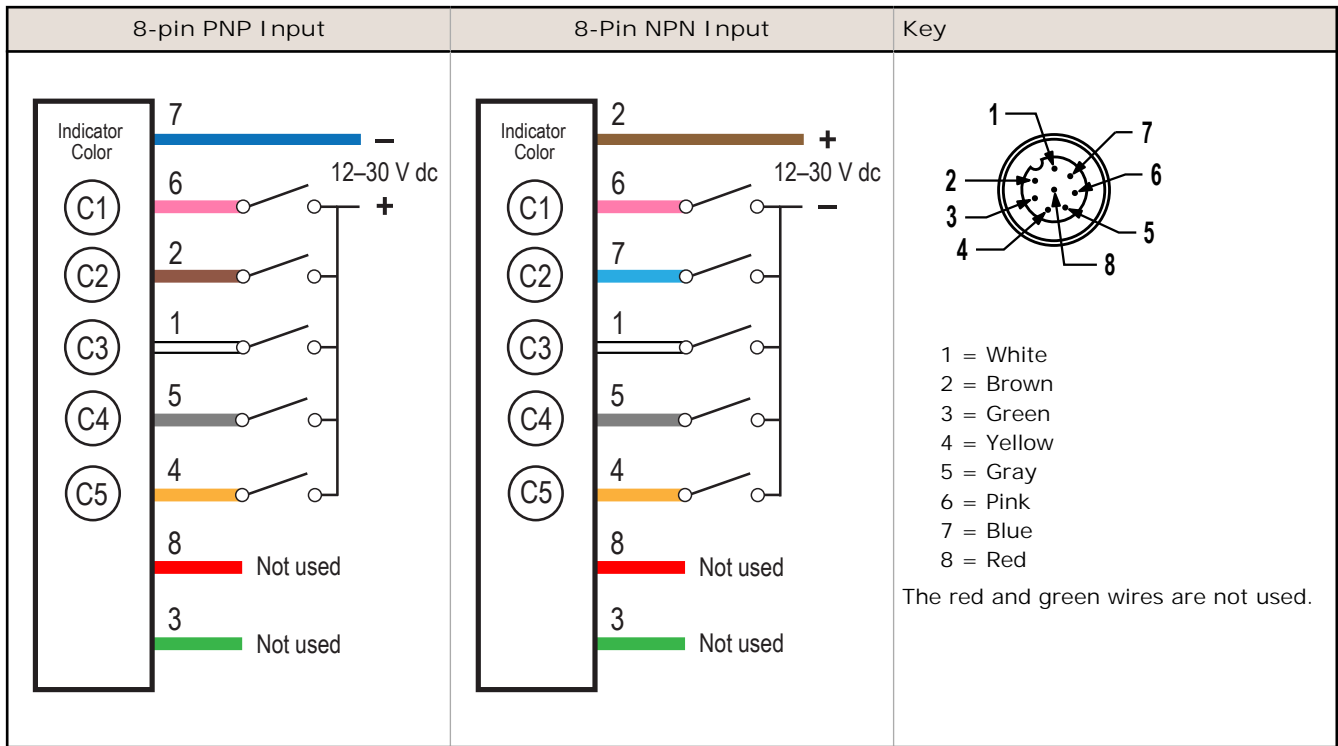
Dimensions



Wiring

When multiple inputs are on at the same time, the indicator cycles between colors at a rate of 1 Hz.

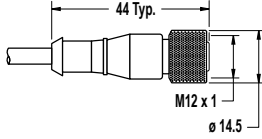
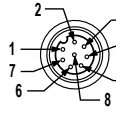
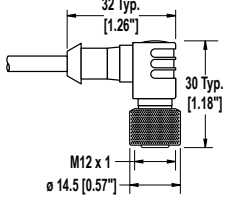




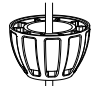


Accessories

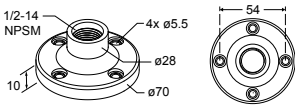
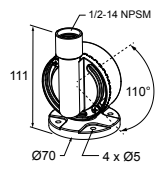
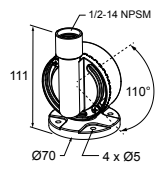
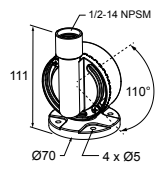
Cordsets

5-Pin Threaded M12/Euro-Style Cordsets (Single Ended)				
Model	Length	Style	Dimensions	Pinout (Female)
MQDC1-501.5	0.50 m (1.5 ft)	Straight		<p> 1 = Brown 2 = White 3 = Blue 4 = Black 5 = Gray </p>
MQDC1-506	1.83 m (6 ft)			
MQDC1-515	4.57 m (15 ft)			
MQDC1-530	9.14 m (30 ft)			
MQDC1-506RA	1.83 m (6 ft)	Right-Angle		
MQDC1-515RA	4.57 m (15 ft)			
MQDC1-530RA	9.14 m (30 ft)			

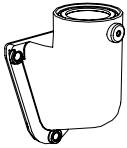
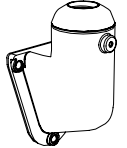
8-Pin Threaded M12/Euro-Style Cordsets with Open-Shield				
Model	Length	Style	Dimensions	Pinout
MQDC2S-806	1.83 m (6 ft)	Straight		 1 = White 2 = Brown 3 = Green 4 = Yellow 5 = Gray 6 = Pink 7 = Blue 8 = Red
MQDC2S-815	4.57 m (15 ft)			
MQDC2S-830	9.14 m (30 ft)			
MQDC2S-850	15.2 m (50 ft)			
MQDC2S-806RA	1.83 m (6 ft)	Right-Angle		
MQDC2S-815RA	4.57 m (15 ft)			
MQDC2S-830RA	9.14 m (30 ft)			
MQDC2S-850RA	15.2 m (50 ft)			

Elevated Mount System

Model			Features	Components
SA-M30 - Black Polycarbonate			<ul style="list-style-type: none"> Streamlined black PC or Gray PC thread cover Covers M30 thread on the light base Mounting hardware included 	
SA-M30C - Gray Polycarbonate				
Polished 304 Stainless Steel	Black Anodized Aluminum	Clear Anodized Aluminum	<ul style="list-style-type: none"> Elevated-use stand-off pipe (1/2 in. NPSM/DN15) Polished 304 stainless steel, black anodized aluminum, or clear anodized aluminum surface 1/2 in. NPT thread at both ends Compatible with most industrial environments 	
SOP-E12-150SS 150 mm (6 in) long	SOP-E12-150A 150 mm (6 in) long	SOP-E12-150AC 150 mm (6 in) long		
SOP-E12-300SS 300 mm (12 in) long	SOP-E12-300A 300 mm (12 in) long	SOP-E12-300AC 300 mm (12 in) long		
SOP-E12-900SS 900 mm (36 in) long	SOP-E12-900A 900 mm (36 in) long	SOP-E12-900AC 900 mm (36 in) long		
SA-E12M30 - Black Acetal			<ul style="list-style-type: none"> Streamlined black acetal or white UHMW mounting base adapter/cover Connects between 1/2 in. NPSM/DN15 pipe and 30 mm (1-3/16 in) drilled hole Mounting hardware included 	
SA-E12M30C - White UHMW				

Pipe Mounting Flange	Foldable Mounting Brackets													
<p>SA-F12</p> <ul style="list-style-type: none"> Die-cast zinc base with black paint For use elevated stand-off pipes (1/2 in, NPSM/DN15) M5 mounting hardware and nitrile gasket included 	<p>Foldable Mounting Brackets</p> <table border="1"> <thead> <tr> <th>Model</th> <th>Features</th> <th>Construction</th> <th></th> </tr> </thead> <tbody> <tr> <td>SA-FFB12</td> <td rowspan="2"> <ul style="list-style-type: none"> For use with 1/2 inch stand-off pipes Stainless steel hardware </td> <td>Black polycarbonate</td> <td rowspan="2">  </td> </tr> <tr> <td>SA-FFB12C</td> <td>Gray polycarbonate</td> </tr> </tbody> </table>				Model	Features	Construction		SA-FFB12	<ul style="list-style-type: none"> For use with 1/2 inch stand-off pipes Stainless steel hardware 	Black polycarbonate		SA-FFB12C	Gray polycarbonate
	Model	Features	Construction											
SA-FFB12	<ul style="list-style-type: none"> For use with 1/2 inch stand-off pipes Stainless steel hardware 	Black polycarbonate												
SA-FFB12C		Gray polycarbonate												

LMB Sealed Right-Angle Brackets

Model	Description	Construction	
LMB30RA	Direct-Mount Models: Bracket kit with base, 30 mm adapter, set screw, fasteners, o-rings, and gaskets	Black polycarbonate	
LMB30RAC		Gray polycarbonate	
LMBE12RA	Pipe-Mount Models: Bracket kit with base, ½-14 pipe adapter, set screw, fasteners, o-rings, and gaskets. For use with stand-off pipe (listed and sold separately)	Black polycarbonate	
LMBE12RAC		Gray polycarbonate	

Banner Engineering Corp Limited Warranty

Banner Engineering Corp. warrants its products to be free from defects in material and workmanship for one year following the date of shipment. Banner Engineering Corp. will repair or replace, free of charge, any product of its manufacture which, at the time it is returned to the factory, is found to have been defective during the warranty period. This warranty does not cover damage or liability for misuse, abuse, or the improper application or installation of the Banner product.

THIS LIMITED WARRANTY IS EXCLUSIVE AND IN LIEU OF ALL OTHER WARRANTIES WHETHER EXPRESS OR IMPLIED (INCLUDING, WITHOUT LIMITATION, ANY WARRANTY OF MERCHANTABILITY OR FITNESS FOR A PARTICULAR PURPOSE), AND WHETHER ARISING UNDER COURSE OF PERFORMANCE, COURSE OF DEALING OR TRADE USAGE.

This Warranty is exclusive and limited to repair or, at the discretion of Banner Engineering Corp., replacement. IN NO EVENT SHALL BANNER ENGINEERING CORP. BE LIABLE TO BUYER OR ANY OTHER PERSON OR ENTITY FOR ANY EXTRA COSTS, EXPENSES, LOSSES, LOSS OF PROFITS, OR ANY INCIDENTAL, CONSEQUENTIAL OR SPECIAL DAMAGES RESULTING FROM ANY PRODUCT DEFECT OR FROM THE USE OR INABILITY TO USE THE PRODUCT, WHETHER ARISING IN CONTRACT OR WARRANTY, STATUTE, TORT, STRICT LIABILITY, NEGLIGENCE, OR OTHERWISE.

Banner Engineering Corp. reserves the right to change, modify or improve the design of the product without assuming any obligations or liabilities relating to any product previously manufactured by Banner Engineering Corp.