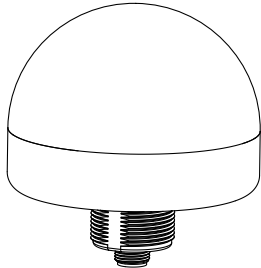


Datasheet

Large one to five color indicator with flashing input control



- Bright, uniform indicator light
- All models have flashing input control
- Models are available with up to five colors in one device
- Rugged IP67-rated design
- 12 to 30 V dc operation

Model	No. of Colors	Colors	Input	Connection
K90LGPO	1	Green	PNP	5-pin M12/Euro-style Quick Disconnect
K90LRPO		Red		
K90LYPO		Yellow		
K90LBPO		Blue		
K90LWPO		White		
K90LGNO		Green	NPN	
K90LRNO		Red		
K90LYNO		Yellow		
K90LBNO		Blue		
K90LWNO		White		

Model	No. of Colors	Colors	Connection	Input
K90LGRPQ	2	Green, Red	5-pin M12/Euro-style Quick Disconnect	PNP
K90LGYRPO	3	Green, Red, Yellow		
K90LBGYRPO	4	Blue, Green, Yellow, Red	8-pin M12/Euro-style Quick Disconnect	
K90LWBGYRPO	5	White, Blue, Green, Yellow, Red		
K90LGRNQ	2	Green, Red	5-pin M12/Euro-style Quick Disconnect	NPN
K90LGYRNO	3	Green, Red, Yellow		
K90LBGYRNO	4	Blue, Green, Yellow, Red	8-pin M12/Euro-style Quick Disconnect	
K90LWBGYRNO	5	White, Blue, Green, Yellow, Red		

Integral quick disconnect models are listed; a mating cordset is required (see [Accessories](#) on page 4).

- To order the 150 mm (5.9 in) PVC pigtail with quick disconnect models, replace Q with QP in the model number, for example, K90LGYRQP.
- To order the 2 m (6.5 ft) cable modes, omit the suffix Q in the model number, for example, K90LGYR.



Specifications

Supply Voltage and Current

12 to 30 V dc
475 mA Max. at 12 V dc
175 mA Max. at 30 V dc

Supply Protection Circuitry

Protected against reverse polarity and transient voltages

Input Response Time

75 ms maximum

Adjustments

1.6 Hz flash rate via flash input wire

Light Characteristics

Color	Typical Wavelength or Color Temperature	Typical Intensity
Red	625 nm	65 lumens
Yellow	590 nm	35 lumens
Green	525 nm	150 lumens
Blue	470 nm	55 lumens
White	6000–7100 K	200 lumens

Construction

Base and dome: Polycarbonate

Connections

Integral 5-pin or 8-pin M12/Euro-style quick disconnect, or 150 mm (6 in) PVC pigtail with quick disconnect, or 2 m (6.5 ft) cable, depending on model

Indicators

1 to 5 colors, depending on model
Only one color can be on at a time. The higher color number overrides the lower color number.

Environmental Rating

IP67

Vibration and Mechanical Shock

All models meet Mil Std. 202F requirements. Method 201A (vibration: 10 to 60 Hz max., double amplitude 0.06", maximum acceleration 10G). Also meets IEC 947-5-2 requirements: 30G 11 ms duration, half sine wave.

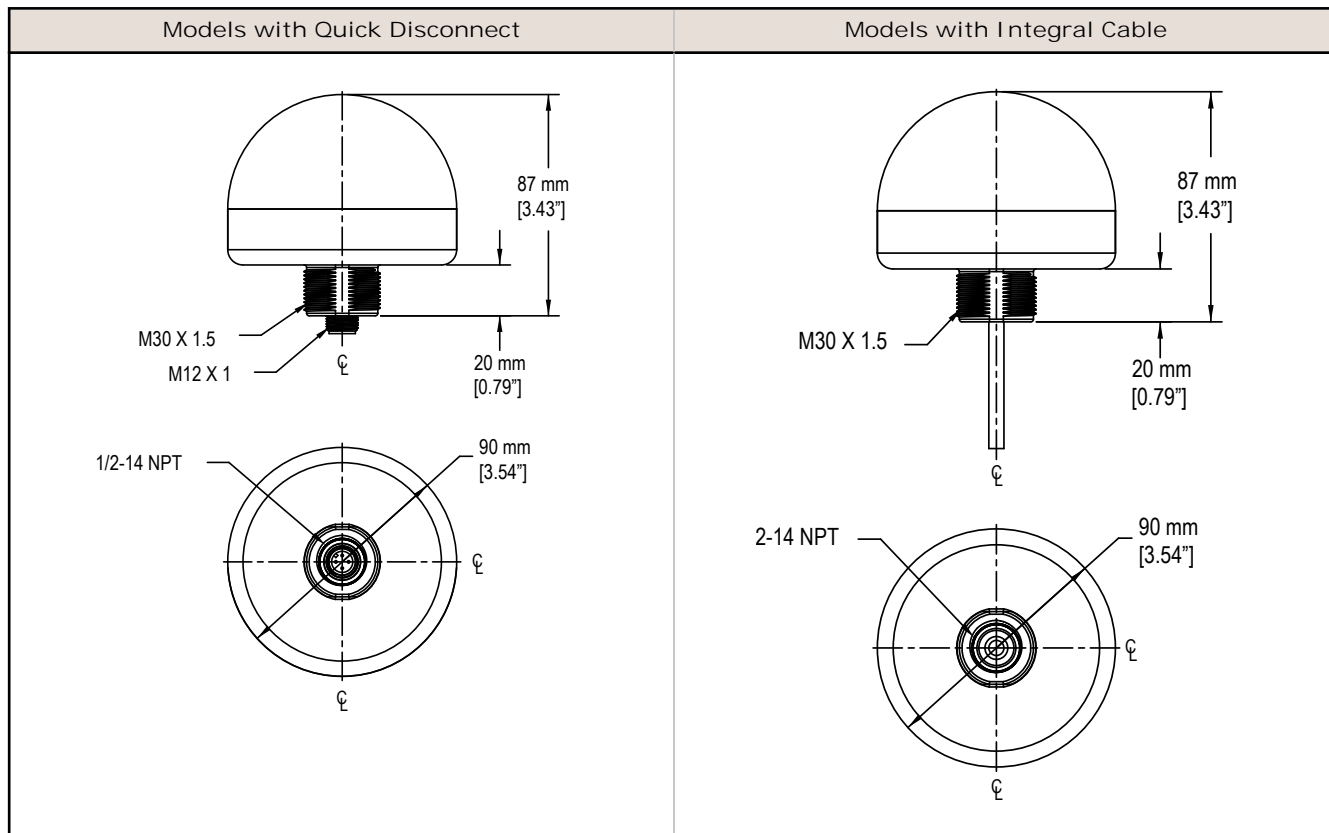
Operating Conditions

-40 °C to +50 °C (-40 °F to +122 °F)

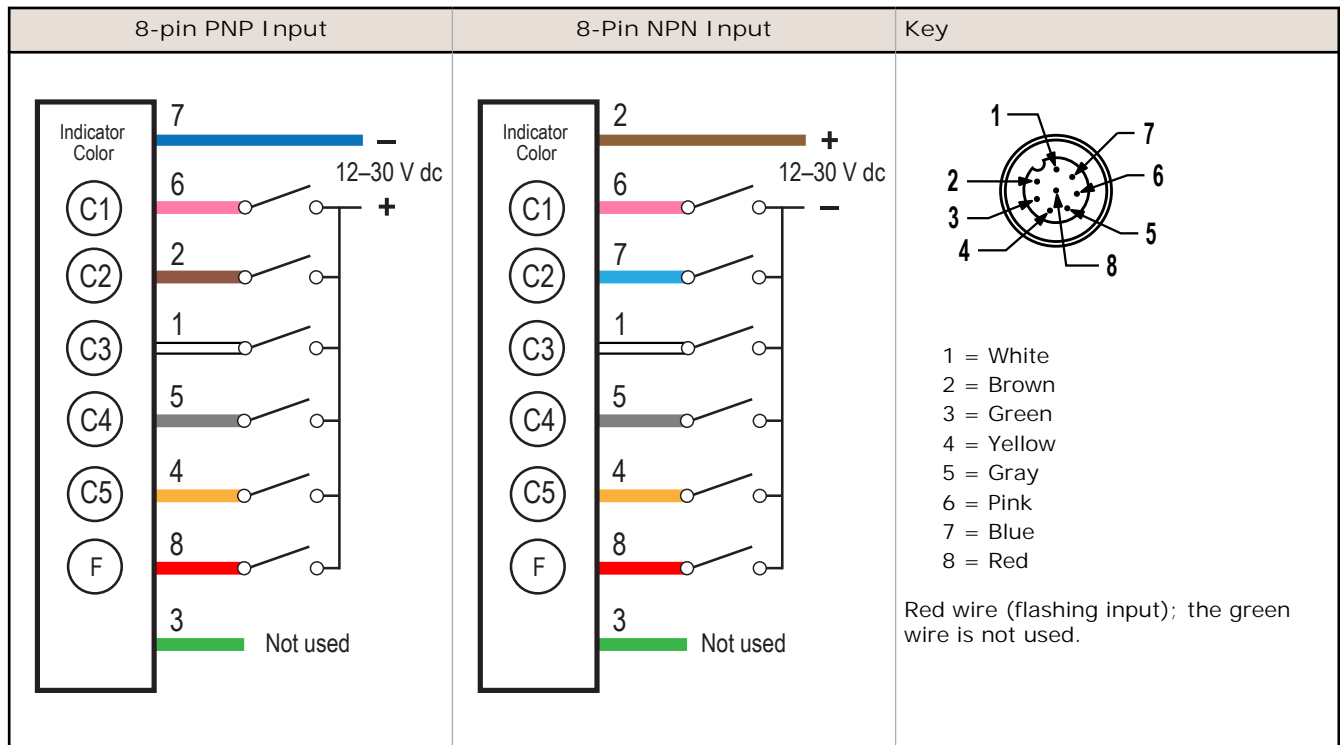
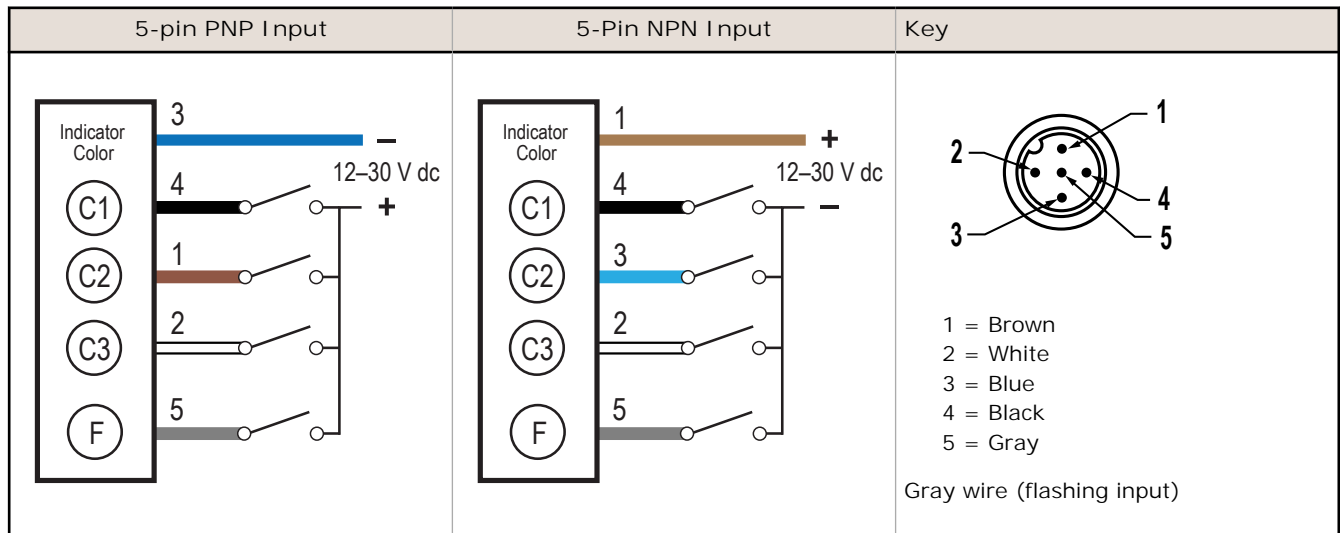
Certifications



Dimensions

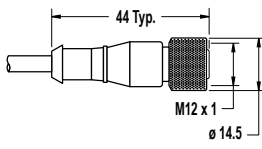
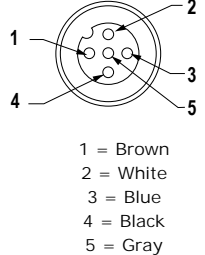
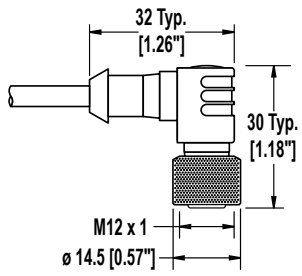


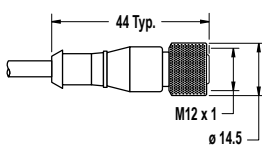
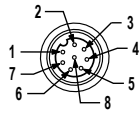
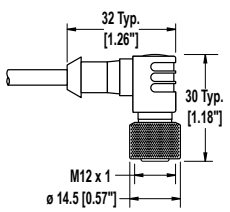
Wiring



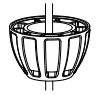
Accessories



Cordsets

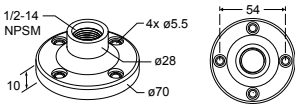
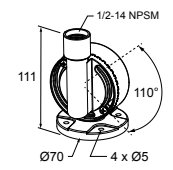
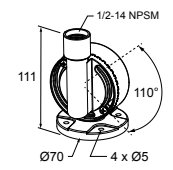
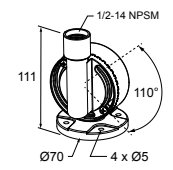
5-Pin Threaded M12/Euro-Style Cordsets (Single Ended)				
Model	Length	Style	Dimensions	Pinout (Female)
MQDC1-501.5	0.50 m (1.5 ft)	Straight		 <p>1 = Brown 2 = White 3 = Blue 4 = Black 5 = Gray</p>
MQDC1-506	1.83 m (6 ft)			
MQDC1-515	4.57 m (15 ft)			
MQDC1-530	9.14 m (30 ft)			
MQDC1-506RA	1.83 m (6 ft)	Right-Angle		
MQDC1-515RA	4.57 m (15 ft)			
MQDC1-530RA	9.14 m (30 ft)			

8-Pin Threaded M12/Euro-Style Cordsets with Open-Shield				
Model	Length	Style	Dimensions	Pinout
MQDC2S-806	1.83 m (6 ft)	Straight		 <p>1 = White 2 = Brown 3 = Green 4 = Yellow 5 = Gray 6 = Pink 7 = Blue 8 = Red</p>
MQDC2S-815	4.57 m (15 ft)			
MQDC2S-830	9.14 m (30 ft)			
MQDC2S-850	15.2 m (50 ft)			
MQDC2S-806RA	1.83 m (6 ft)	Right-Angle		
MQDC2S-815RA	4.57 m (15 ft)			
MQDC2S-830RA	9.14 m (30 ft)			
MQDC2S-850RA	15.2 m (50 ft)			

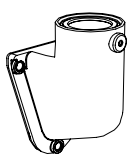
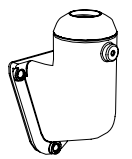
Elevated Mount System

Model	Features	Components
SA-M30 - Black Polycarbonate	<ul style="list-style-type: none"> Streamlined black PC or Gray PC thread cover Covers M30 thread on the light base Mounting hardware included 	
SA-M30C - Gray Polycarbonate		

Model			Features	Components
Polished 304 Stainless Steel	Black Anodized Aluminum	Clear Anodized Aluminum	<ul style="list-style-type: none"> Elevated-use stand-off pipe (½ in. NPSM/DN15) Polished 304 stainless steel, black anodized aluminum, or clear anodized aluminum surface ½ in. NPT thread at both ends Compatible with most industrial environments 	
SOP-E12-150SS 150 mm (6 in) long	SOP-E12-150A 150 mm (6 in) long	SOP-E12-150AC 150 mm (6 in) long		
SOP-E12-300SS 300 mm (12 in) long	SOP-E12-300A 300 mm (12 in) long	SOP-E12-300AC 300 mm (12 in) long		
SOP-E12-900SS 900 mm (36 in) long	SOP-E12-900A 900 mm (36 in) long	SOP-E12-900AC 900 mm (36 in) long		
SA-E12M30 - Black Acetal			<ul style="list-style-type: none"> Streamlined black acetal or white UHMW mounting base adapter/cover Connects between ½ in. NPSM/DN15 pipe and 30 mm (1-3/16 in) drilled hole Mounting hardware included 	
SA-E12M30C - White UHMW				

Pipe Mounting Flange	Foldable Mounting Brackets															
<p>SA-F12</p> <ul style="list-style-type: none"> Die-cast zinc base with black paint For use elevated stand-off pipes (½ in, NPSM/DN15) M5 mounting hardware and nitrile gasket included 	<table border="1"> <thead> <tr> <th colspan="4">Foldable Mounting Brackets</th> </tr> <tr> <th>Model</th> <th>Features</th> <th>Construction</th> <th></th> </tr> </thead> <tbody> <tr> <td>SA-FFB12</td> <td> <ul style="list-style-type: none"> For use with 1/2 inch stand-off pipes </td> <td>Black polycarbonate</td> <td rowspan="2">  </td> </tr> <tr> <td>SA-FFB12C</td> <td> <ul style="list-style-type: none"> Stainless steel hardware </td> <td>Gray polycarbonate</td> </tr> </tbody> </table>	Foldable Mounting Brackets				Model	Features	Construction		SA-FFB12	<ul style="list-style-type: none"> For use with 1/2 inch stand-off pipes 	Black polycarbonate		SA-FFB12C	<ul style="list-style-type: none"> Stainless steel hardware 	Gray polycarbonate
Foldable Mounting Brackets																
Model	Features	Construction														
SA-FFB12	<ul style="list-style-type: none"> For use with 1/2 inch stand-off pipes 	Black polycarbonate														
SA-FFB12C	<ul style="list-style-type: none"> Stainless steel hardware 	Gray polycarbonate														

LMB Sealed Right-Angle Brackets

Model	Description	Construction	
LMB30RA	Direct-Mount Models: Bracket kit with base, 30 mm adapter, set screw, fasteners, o-rings, and gaskets	Black polycarbonate	
LMB30RAC		Gray polycarbonate	
LMBE12RA	Pipe-Mount Models: Bracket kit with base, ½-14 pipe adapter, set screw, fasteners, o-rings, and gaskets. For use with stand-off pipe (listed and sold separately)	Black polycarbonate	
LMBE12RAC		Gray polycarbonate	

Banner Engineering Corp Limited Warranty

Banner Engineering Corp. warrants its products to be free from defects in material and workmanship for one year following the date of shipment. Banner Engineering Corp. will repair or replace, free of charge, any product of its manufacture which, at the time it is returned to the factory, is found to have been defective during the warranty period. This warranty does not cover damage or liability for misuse, abuse, or the improper application or installation of the Banner product.

THIS LIMITED WARRANTY IS EXCLUSIVE AND IN LIEU OF ALL OTHER WARRANTIES WHETHER EXPRESS OR IMPLIED (INCLUDING, WITHOUT LIMITATION, ANY WARRANTY OF MERCHANTABILITY OR FITNESS FOR A PARTICULAR PURPOSE), AND WHETHER ARISING UNDER COURSE OF PERFORMANCE, COURSE OF DEALING OR TRADE USAGE.

This Warranty is exclusive and limited to repair or, at the discretion of Banner Engineering Corp., replacement. IN NO EVENT SHALL BANNER ENGINEERING CORP. BE LIABLE TO BUYER OR ANY OTHER PERSON OR ENTITY FOR ANY EXTRA COSTS, EXPENSES, LOSSES, LOSS OF PROFITS, OR ANY INCIDENTAL, CONSEQUENTIAL OR SPECIAL DAMAGES RESULTING FROM ANY PRODUCT DEFECT OR FROM THE USE OR INABILITY TO USE THE PRODUCT, WHETHER ARISING IN CONTRACT OR WARRANTY, STATUTE, TORT, STRICT LIABILITY, NEGLIGENCE, OR OTHERWISE.

Banner Engineering Corp. reserves the right to change, modify or improve the design of the product without assuming any obligations or liabilities relating to any product previously manufactured by Banner Engineering Corp.