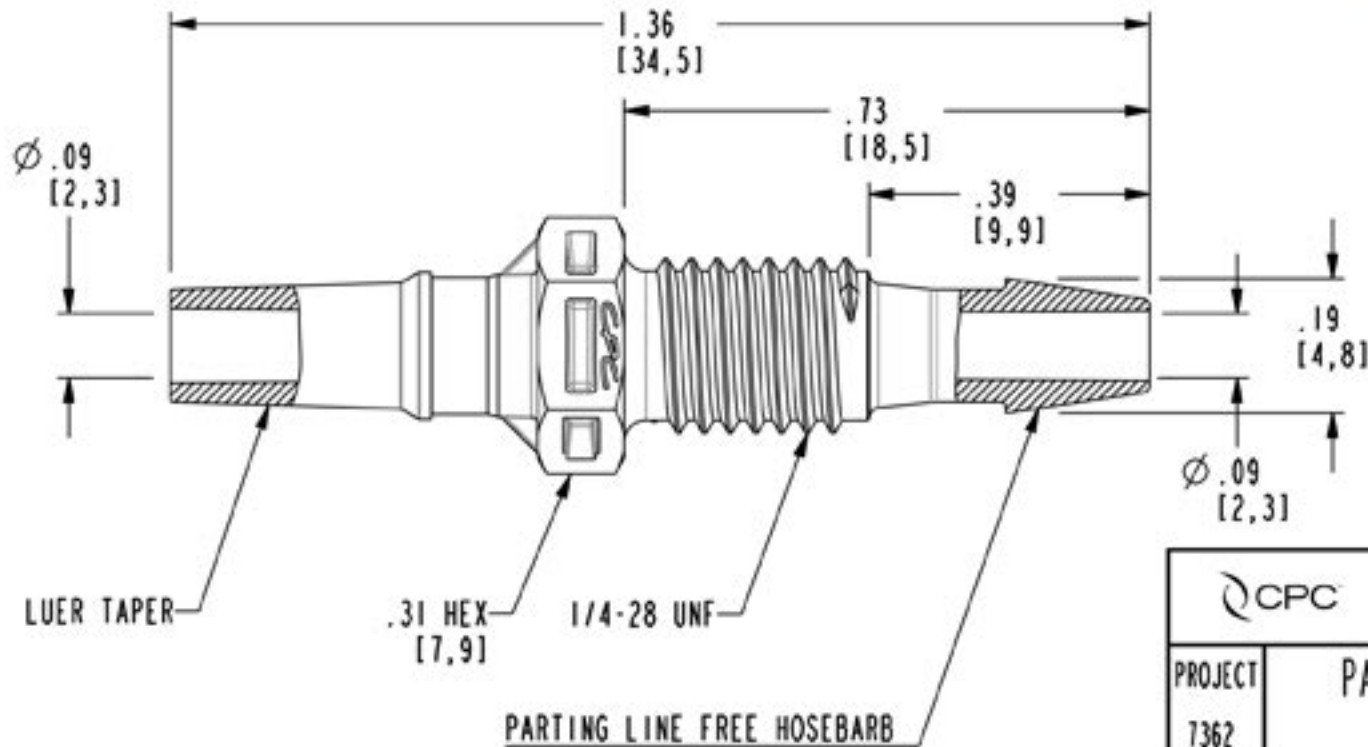


DWG NO: PMLM41-CUST

NOTES:

- 1 MATERIAL: POLYPROPYLENE
FDA 21 CFR 177.1500
RoHS COMPLIANT
ANIMAL FREE
USP CLASS VI
COLOR: NATURAL
- 2 CAN BE USED WITH LMSRXX (ROTATING LUER LOCK RING) OR LMSLXX (STATIONARY LUER LOCK RING)
- 3 PANEL NUT (PMNUTSST) AND COLOR-CODE RING (PMRLXX) ARE AVAILABLE SEPERATELY



1 800 444 2474

cpcworldwide.com

PROJECT
7362

PANEL MOUNT MALE LUER 1/8 HB
(CUSTOMER DRAWING)

DWG BY: PRA

DATE: 06-24-09

CHKD BY:

MATL/FIN: SEE NOTE 1

DWG NO: PMLM41-CUST