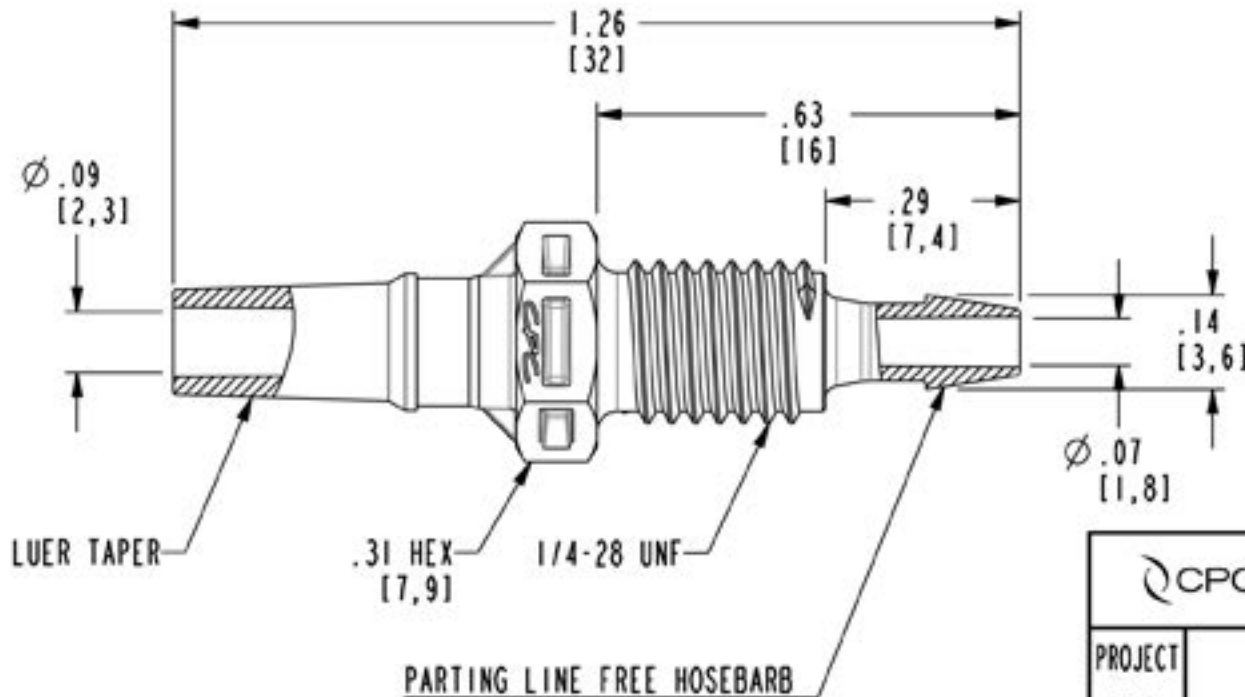


DWG NO: PMLM31-CUST

NOTES:

- 1 MATERIAL: POLYPROPYLENE
FDA 21 CFR 177.1500
RoHS COMPLIANT
ANIMAL FREE
USP CLASS VI
COLOR: NATURAL
- 2 CAN BE USED WITH LMSRXX (ROTATING LUER LOCK RING) OR LMSLXX (STATIONARY LUER LOCK RING)
- 3 PANEL NUT (PMNUTSST) AND COLOR-CODE RING (PMRLXX) ARE AVAILABLE SEPERATELY



CPC 1 800 444 2474 cpcworldwide.com		
PROJECT	PANEL MOUNT MALE LUER 3/32 HB (CUSTOMER DRAWING)	
7362		
DWG BY: PRA	DATE: 06-24-09	CHKD BY:
MATL/FIN: SEE NOTE 1	DWG NO: PMLM31-CUST	