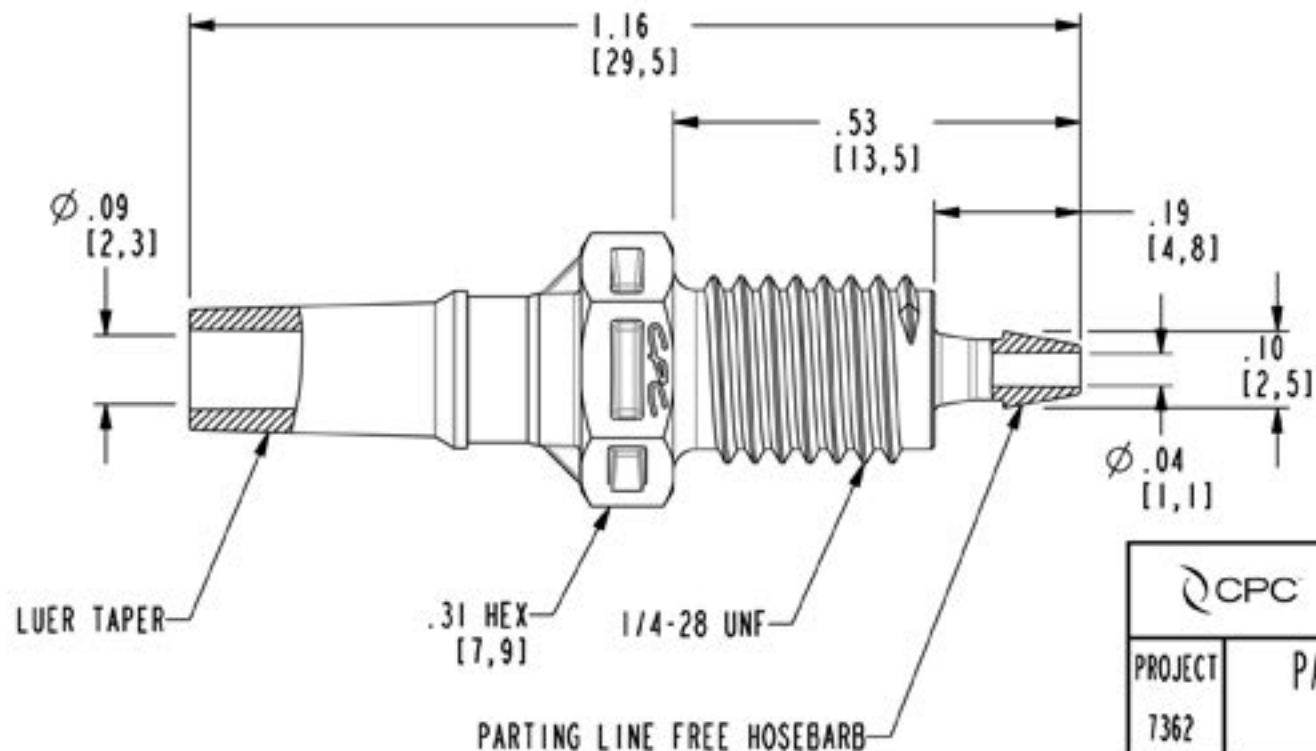


DWG NO: PMLM21-CUST

NOTES:

- 1 MATERIAL: POLYPROPYLENE
FDA 21 CFR 177.1500
RoHS COMPLIANT
ANIMAL FREE
USP CLASS VI
COLOR: NATURAL
- 2 CAN BE USED WITH LMSRXX (ROTATING LUER LOCK RING) OR LMSLXX (STATIONARY LUER LOCK RING).
- 3 PANEL NUT (PMNUTSST) AND COLOR CODE RING (PMRLXX) ARE AVAILABLE SEPARATELY.



CPC 1 800 444 2474 cpcworldwide.com		
PROJECT 7362	PANEL MOUNT MALE LUER 1/16 HB (CUSTOMER DRAWING)	
DWG BY: PRA	DATE: 07-01-09	CHKD BY:
MATL/FIN: SEE NOTE 1	DWG NO: PMLM21-CUST	