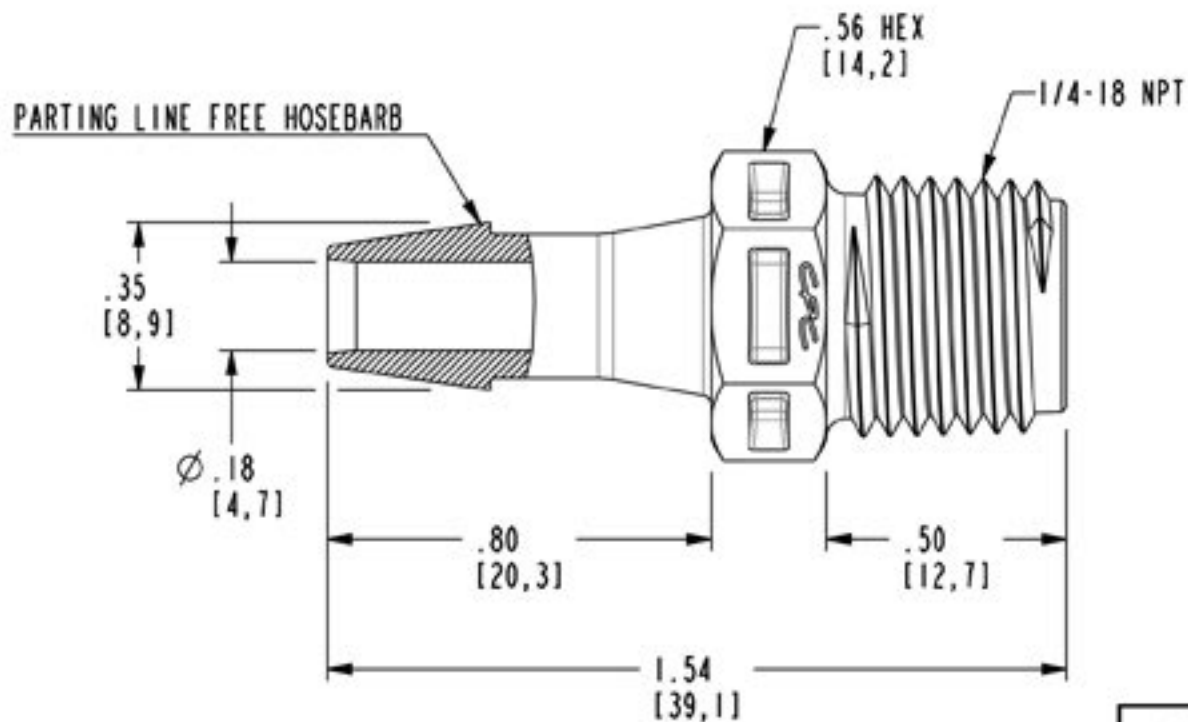


DWG NO: N8S8-CUST

NOTES:

1 MATERIAL: POLYPROPYLENE
FDA 21 CFR 177.1500
RoHS COMPLIANT
ANIMAL FREE
USP CLASS VI
COLOR: NATURAL



CPC 1 800 444 2474 cpcworldwide.com

PROJECT 1/4 NPT X 1/4 HB FITTING
7362 (CUSTOMER DRAWING)

DWG BY: DHB DATE: 06/29/09 CHKD BY:

MATL/FIN: SEE NOTE 1 DWG NO: N8S8-CUST