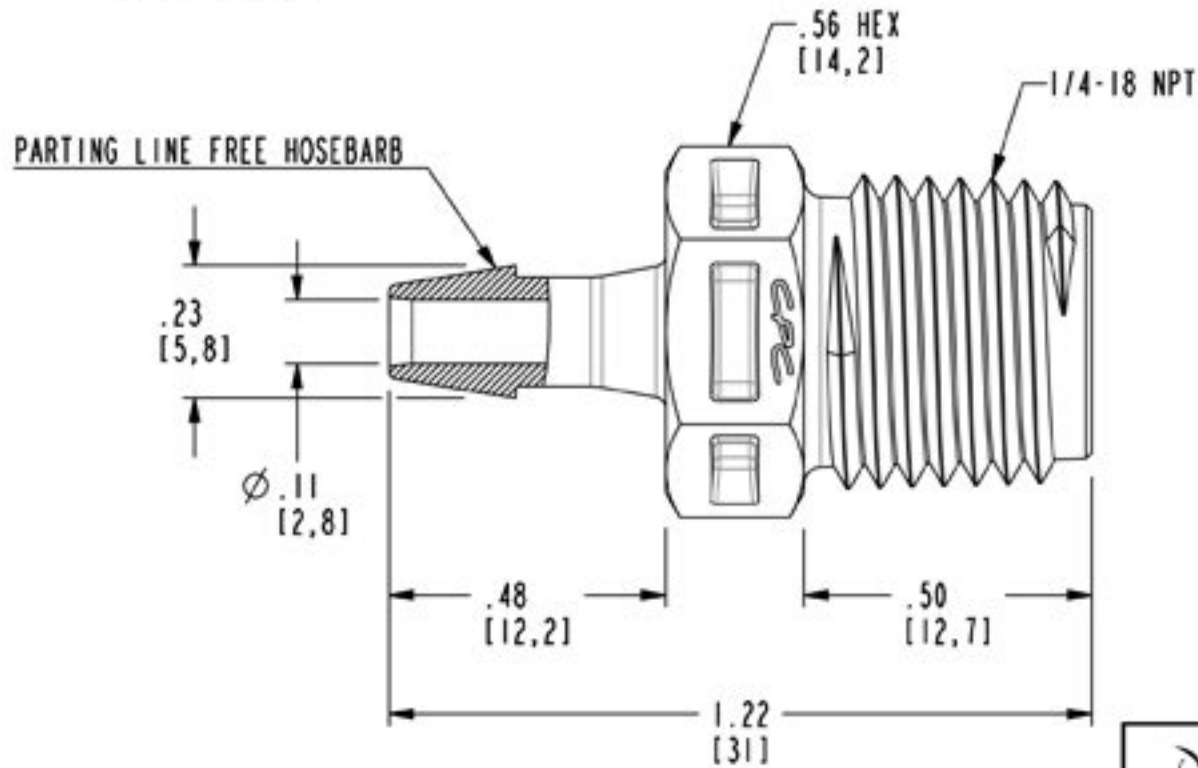


DWG NO: N8S5-CUST

NOTES:

1 MATERIAL: POLYPROPYLENE
FDA 21 CFR 177.1500
RoHS COMPLIANT
ANIMAL FREE
USP CLASS VI
COLOR: NATURAL



1 800 444 2474

cpcworldwide.com

PROJECT
7362

1/4 NPT X 5/32 HB FITTING
(CUSTOMER DRAWING)

DWG BY: DHB

DATE: 06/26/09

CHKD BY:

MATL/FIN: SEE NOTE 1

DWG NO: N8S5-CUST