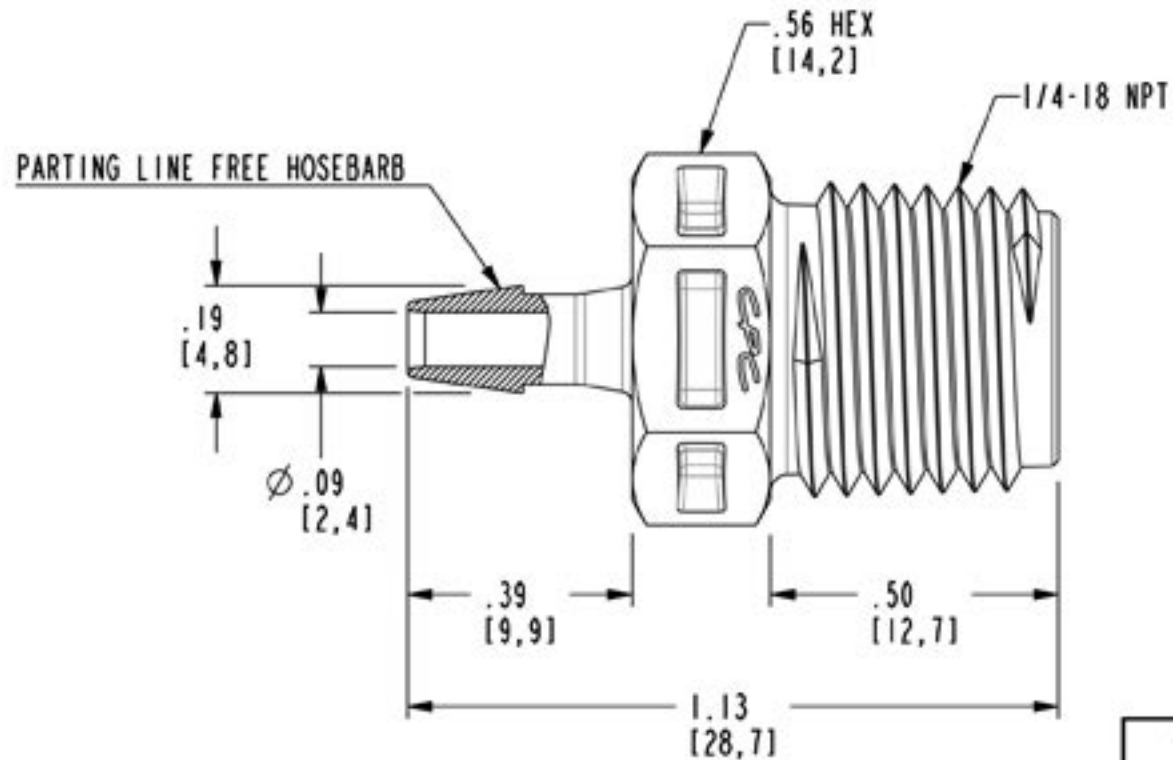


DWG NO: N8S4-CUST

NOTES:

MATERIAL: POLYPROPYLENE
FDA 21 CFR 177.1500
RoHS COMPLIANT
ANIMAL FREE
USP CLASS VI
COLOR: NATURAL



CPC 1 800 444 2474 cpcworldwide.com

PROJECT 7362 1/4 NPT X 1/8 HB FITTING (CUSTOMER DRAWING)

DWG BY: DHB DATE: 06/26/09 CHKD BY:

MATL/FIN: SEE NOTE DWG NO: N8S4-CUST