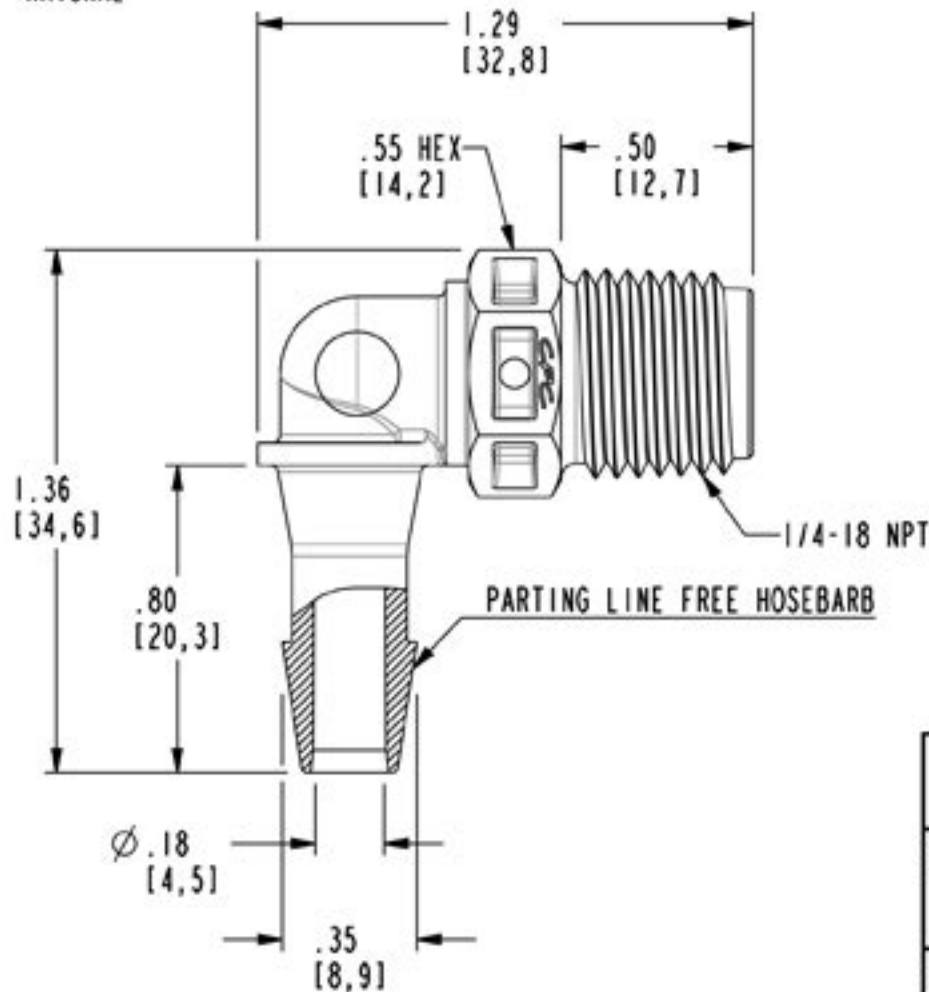


DWG NO: N8E8-CUST

NOTES:

MATERIAL: POLYPROPYLENE  
FDA 21 CFR 177.1500  
RoHS COMPLIANT  
ANIMAL FREE  
USP CLASS VI  
COLOR: NATURAL



1 800 444 2474

cpcworldwide.com

PROJECT  
7362

1/4 HB X 1/4 NPT ELBOW  
(CUSTOMER DRAWING)

DWG BY: DHB

DATE: 06/23/09

CHKD BY:

MATL/FIN: SEE NOTE

DWG NO: N8E8-CUST