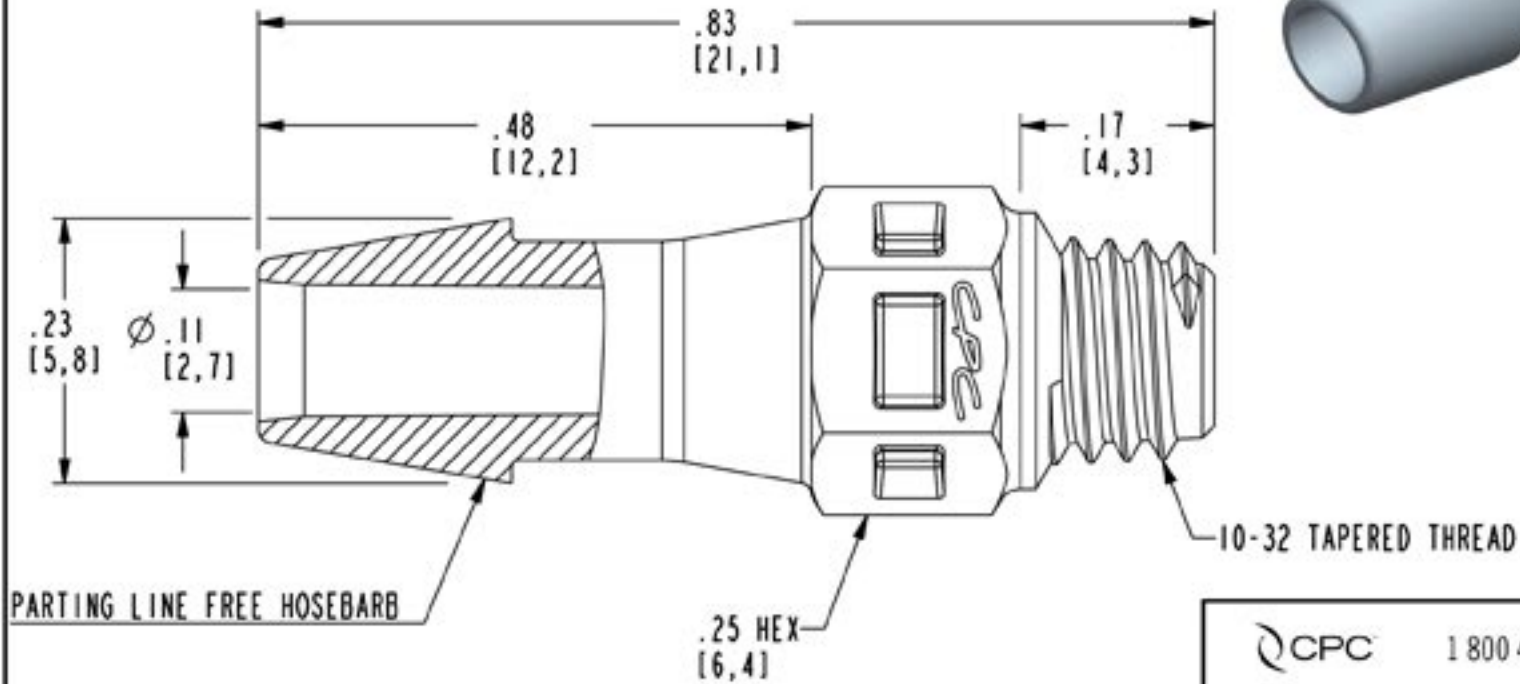


DWG NO: MS5-CUST

NOTES:

1 MATERIAL: POLYPROPYLENE
FDA 21 CFR 177.1500
RoHS COMPLIANT
ANIMAL FREE
USP CLASS VI
COLOR: NATURAL



1 800 444 2474

cpcworldwide.com

PROJECT 5/32 HB X #10-32 UNF TAPERED FITTING
7362 (CUSTOMER DRAWING)

DWG BY: VS

DATE: 07/13/09

CHKD BY:

MATL/FIN: SEE NOTE 1

DWG NO: MS5-CUST