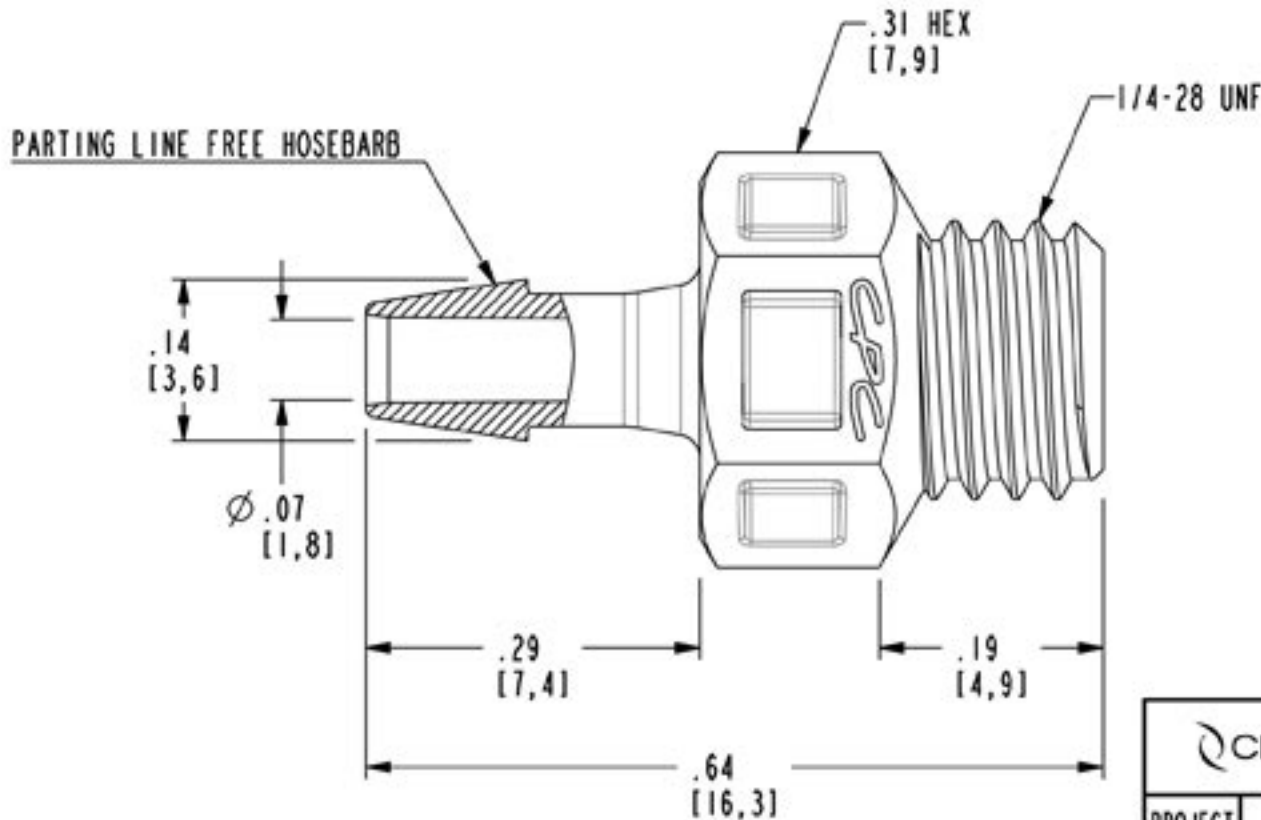


DWG NO: KS3-CUST

NOTES:

1 MATERIAL: POLYPROPYLENE
FDA 21 CFR 177.1500
RoHS COMPLIANT
ANIMAL FREE
USP CLASS VI
COLOR: NATURAL



CPC 1 800 444 2474 cpcworldwide.com

PROJECT 7362 3/32 HB X 1/4-28 UNF FITTING
(CUSTOMER DRAWING)

DWG BY: AMK DATE: 06/30/09 CHKD BY:

MATL/FIN: SEE NOTE 1 DWG NO: KS3-CUST