

DWG NO: HY8-CUST

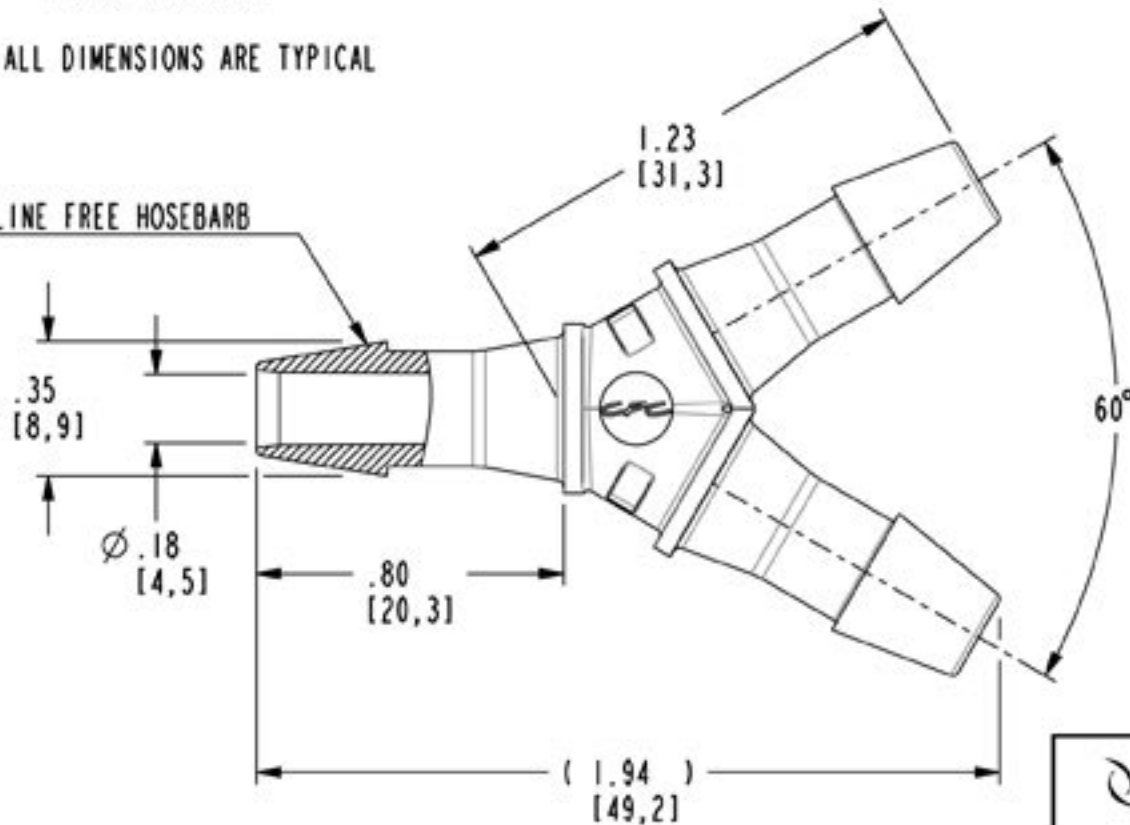
NOTES:

1 MATERIAL: POLYPROPYLENE
FDA 21 CFR 177.1500
RoHS COMPLIANT
ANIMAL FREE
USP CLASS VI
COLOR: NATURAL

2 ALL DIMENSIONS ARE TYPICAL



PARTING LINE FREE HOSEBARB



1 800 444 2474

cpcworldwide.com

PROJECT
7362

1/4 HB Y-FITTING
(CUSTOMER DRAWING)

DWG BY: AMK

DATE: 06/30/09

CHKD BY:

MATL/FIN: SEE NOTE 1

DWG NO: HY8-CUST