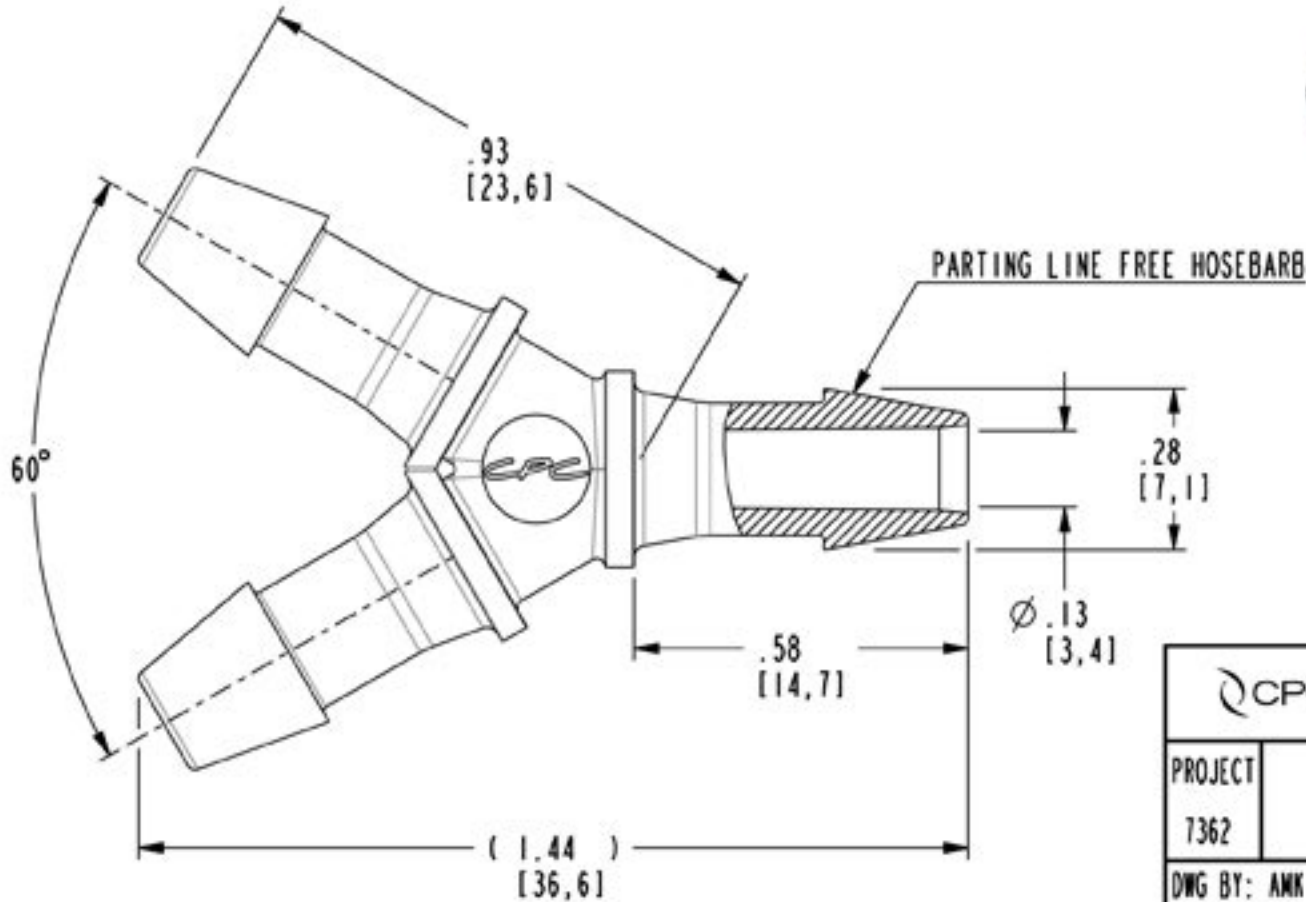


DWG NO: HY6-CUST

NOTES:

1 MATERIAL: POLYPROPYLENE
FDA 21 CFR 177.1500
RoHS COMPLIANT
ANIMAL FREE
USP CLASS VI
COLOR: NATURAL

2 ALL DIMENSIONS ARE TYPICAL



CPC 1 800 444 2474 cpcworldwide.com

PROJECT	3/16 HB Y-FITTING (CUSTOMER DRAWING)		
7362			
DWG BY: AMK	DATE: 06/30/09	CHKD BY:	
MATL/FIN: SEE NOTE 1	DWG NO: HY6-CUST		