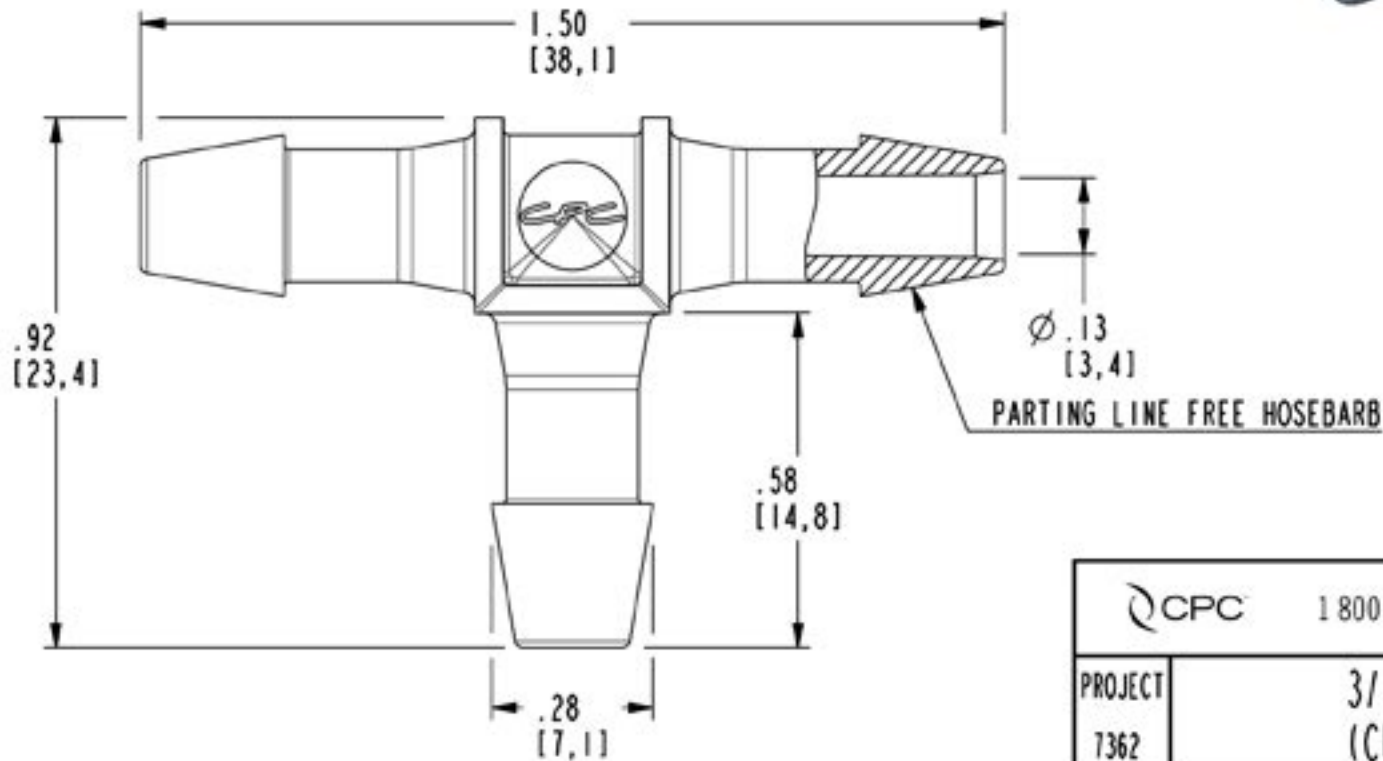


DWG NO: HT6-CUST

NOTES:

- 1 MATERIAL: POLYPROPYLENE
FDA 21 CFR 177.1500
RoHS COMPLIANT
ANIMAL FREE
USP CLASS VI
COLOR: NATURAL
- 2 ALL DIMENSIONS ARE TYPICAL



CPC 1 800 444 2474 cpcworldwide.com		
PROJECT 7362	3/16 HB TEE UNION (CUSTOMER DRAWING)	
DWG BY: SR1	DATE: 06-23-09	CHKD BY:
MATL/FIN: SEE NOTE 1	DWG NO: HT6-CUST	