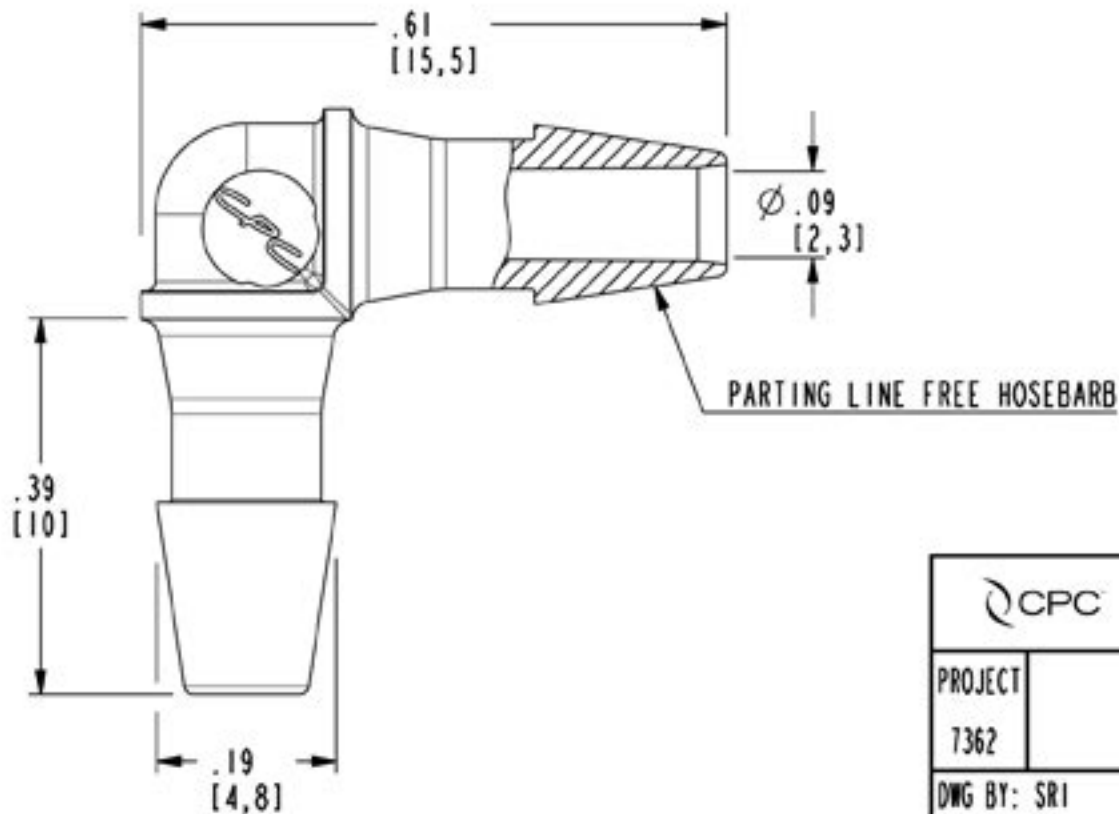


DWG NO: HE4-CUST

NOTES:

- 1 MATERIAL: POLYPROPYLENE
FDA 21 CFR 177.1500
RoHS COMPLIANT
ANIMAL FREE
USP CLASS VI
COLOR: NATURAL
- 2 ALL DIMENSIONS ARE TYPICAL



1 800 444 2474

cpcworldwide.com

PROJECT
7362

1/8 HB ELBOW UNION
(CUSTOMER DRAWING)

DWG BY: SR1

DATE: 06/22/09

CHKD BY:

MATL/FIN: SEE NOTE 1

DWG NO: HE4-CUST