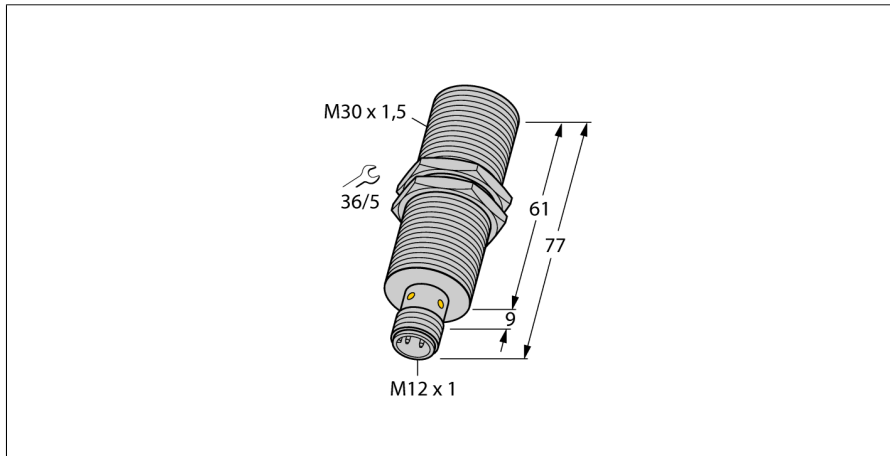
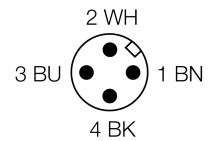
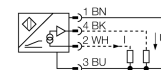


**Inductive sensor**  
**With analog output**  
**BI10-M30E-LIU-H1141**



- Threaded barrel, M30 x 1.5
- Long version
- Chrome-plated brass
- 4-wire, 15...30 VDC
- Analog output
- 0...10 V and 0...20 mA
- M12 x 1 male connector

**Wiring diagram**

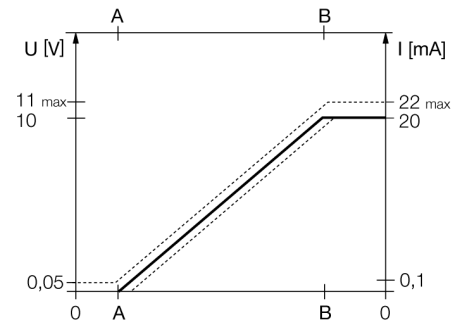


<b>Type code</b>	BI10-M30E-LIU-H1141
Ident-No.	1537003
Ident-No (TUSA)	M1537003
<b>Ambient temperature</b>	-25...+70 °C
<b>Operating voltage</b>	15...30VDC
Residual ripple	≤ 10 % U <sub>s</sub>
No-load current I <sub>0</sub>	≤ 8 mA
Rated insulation voltage	≤ 0.5 kV
Output function	4-wire, analog output
Short-circuit protection	yes
Wire breakage / Reverse polarity protection	yes/ complete
Linearity deviation	≤ 3 %
Measuring sequence frequency	140 Hz
<b>Construction</b>	threaded barrel, M30 x 1.5
Dimensions	77 mm
Housing material	metal, CuZn, chrome-plated
Material active area	plastic, PA
Max. tightening torque housing nut	75 Nm
Connection	male, M12 x 1
Vibration resistance	55 Hz (1 mm)
Shock resistance	30 g (11 ms)
IP Rating	IP67
MTTF	751 years acc. to SN 29500 (Ed. 99) 40 °C

**Functional principle**

Inductive TURCK sensors with analog output accomplish simple control tasks. They provide a current, voltage or frequency signal proportional to the target's distance. The output signal is linear to the distance of the target over the entire sensing range.

**Measuring range**



**Inductive sensor**  
**With analog output**  
**BI10-M30E-LIU-H1141**

---

Distance D	60 mm
Distance W	3 x Sn
Distance T	3 x B
Distance S	1.5 x B
Distance G	6 x Sn

---

**Diameter of the active area B**                       $\varnothing$  30 mm

