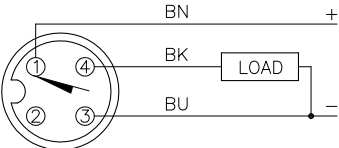
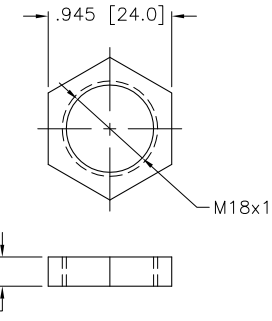
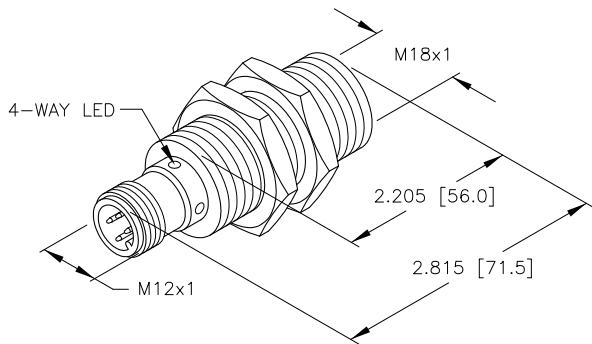
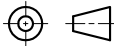


WIRING DIAGRAM	LOCKNUT LN-M18	SPECIFICATIONS	
 <p data-bbox="100 315 247 334">OUTPUT: AP6X2</p> <p data-bbox="71 428 485 448">SHORT-CIRCUIT AND OVERLOAD PROTECTED</p>		OPERATING VOLTAGE	10-30 VDC
		RIPPLE	≤ 10%
		HYSTERESIS (DIFFERENTIAL TRAVEL)	3-15% (5% TYPICAL)
		VOLTAGE DROP ACROSS CONDUCTING SENSOR	≤ 1.8 V at 200 mA
		OUTPUT FUNCTION	NORMALLY OPEN, PNP
		TTL COMPATIBLE	NO
		SHORT-CIRCUIT PROTECTED	YES
		TRIGGER CURRENT FOR OVERLOAD PROTECTION	≥ 220 mA
		CONTINUOUS LOAD CURRENT	≤ 200 mA
		OFF-STATE (LEAKAGE) CURRENT	< 100 μA
		NO-LOAD CURRENT	≤ 15 mA
		TIME DELAY BEFORE AVAILABILITY	≤ 8 ms
		POWER-ON EFFECT	Per IEC 947-5-2
		REVERSE POLARITY PROTECTION	INCORPORATED
		WIRE-BREAK PROTECTION	INCORPORATED
		TRANSIENT PROTECTION	Per EN 60947-5-2
		OPERATING TEMPERATURE	-25°C to +60°C (-13°F to +140°F)
		ENCLOSURE	MEETS NEMA 1, 3, 4, 6, 13 AND IEC IP67
		SHOCK	30 g, 11 ms
		VIBRATION	55 Hz, 1 mm AMPLITUDE (IN ALL 3 PLANES)
		2-COLOR LED YELLOW	OUTPUT ENERGIZED
		2-COLOR LED GREEN	POWER ON
		RATED OPERATING DISTANCE(Sn)	5 mm = .197" (NOMINAL)
		SWITCHING FREQUENCY	2500 Hz
		REPEATABILITY	≤ 2% of RATED OPERATING DISTANCE
		EMBEDDABLE (SHIELDED)	YES



NOTE: ALL DIMENSIONAL TOLERANCES: ±1.0mm.

SOURCE DRAWING - FOR REFERENCE ONLY

RELATED DOCUMENTS 1. 2. 3. 4.		3RD ANGLE PROJECTION 	THIS DRAWING IS PROPERTY OF TURCK INC. USE OF THIS DOCUMENT WITHOUT WRITTEN PERMISSION IS PROHIBITED.	<div style="text-align: right;"> <p>3000 CAMPUS DRIVE MINNEAPOLIS, MN 55441 1-800-544-7769 (763) 553-7300 (763) 553-0708 fax turck.com</p> </div> <p>TURCK INC High Technology Sensors and Automation Controls</p>	
MATERIAL STAINLESS STEEL VYNCOLIT X655 FACE		ALL DIMENSIONS DISPLAYED ON THIS DRAWING ARE FOR REFERENCE ONLY	DRFT CBM	DATE 06/19/00	DESCRIPTION Bi 5NF-EM18HE-AP6X2-H1141
FINISH		CONTACT TURCK FOR MORE INFORMATION	UNIT OF MEASUREMENT INCH [MILLIMETER] DO NOT SCALE THIS DRAWING		IDENTIFICATION NO. M1615000 REV A FILE: M1615000 SHEET 1 OF 1

A	DRAWING RELEASE	CBM 01/12/01	
REV	DESCRIPTION	BY	DATE ECO NO.