

Wiring module bottom for contactor assembly S00
without gap between the Contactors, screw terminal



General technical data

Product brand name		SIRIUS
Product designation		Wiring kit
Design of the product		Reversing contactor assembly botton, S00, screw terminal
Size of contactor		S00

Certificates/ approvals

General Product Approval	Declaration of Conformity	Shipping Approval
--------------------------	---------------------------	-------------------



[Miscellaneous](#)



Shipping Approval	other
-------------------	-------



[Confirmation](#)

Further information

Information- and Downloadcenter (Catalogs, Brochures,...)

<https://www.siemens.com/ic10>

Industry Mall (Online ordering system)

<https://mall.industry.siemens.com/mall/en/en/Catalog/product?mlfb=3RA2913-3EA1>

Cax online generator

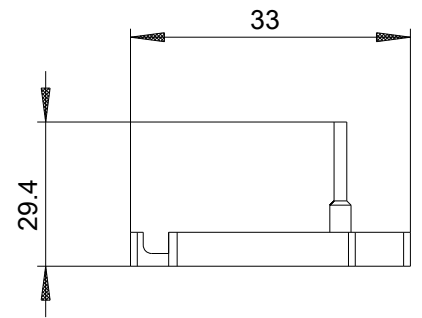
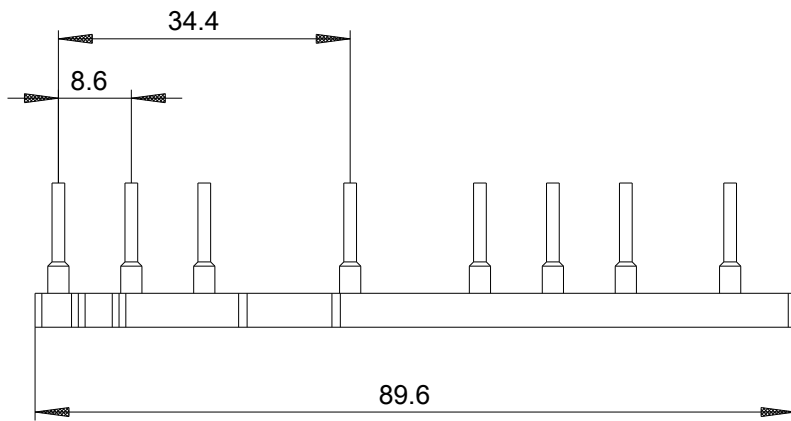
<http://support.automation.siemens.com/WW/CAXorder/default.aspx?lang=en&mlfb=3RA2913-3EA1>

Service&Support (Manuals, Certificates, Characteristics, FAQs,...)

<https://support.industry.siemens.com/cs/ww/en/ps/3RA2913-3EA1>

Image database (product images, 2D dimension drawings, 3D models, device circuit diagrams, EPLAN macros, ...)

http://www.automation.siemens.com/bilddb/cax_de.aspx?mlfb=3RA2913-3EA1&lang=en



last modified:

05/15/2020