

SENTRON, Fuse switch disconnecter 3NP1, 3-pole, NH00, 160 A, for Busbar system 8US 60 mm, Box terminal, Cover level 32/70 mm



Model	
Product brand name	SENTRON
Product designation	3NP1 fuse switch disconnecter
Design of the product	cover level 32/70 mm
Busbar design	busbar thickness 5 or 10 mm
Design of the safety monitoring	Without
Design of the operating mechanism	Cover handle
Design of the load switch / Strip form	No
Type of the driving mechanism / motor drive	No
General technical data	
Number of poles	3
Type of device	For 60 mm 8US busbar system
Size of disconnecting link	00 and 000
Size of fuse link	NH000, NH00
Continuous current / at 35 °C / rated value	160 A
Let-through current / with closed switch / maximum permissible	23 kA
cut-off value $I^{*2}t_{max.}$ / 500 V	158 000 A <sup>2</sup> ·s
Power factor	

• at AC-22 B	0.65
• at AC-23 B	0.45
• with capacitive load	-0.25
circuit-breaker / Design	3NP11
Mechanical service life (switching cycles) / typical	2 000
Fuse system	LV HRC fuse

### Voltage

Insulation voltage / rated value	690 V
Power factor / at AC-21 B	0.95
Surge voltage resistance / rated value	8 kV

### Protection class

Protection class IP	
• with closed switch / with cover or cable lug cover	IP40
• with closed switch / without cover or cable lug cover	IP30
• on the front	IP40
• open	IP20

### Electricity

Continuous current	
• rated value	160 A
• at 40 °C / rated value	155 A
• at 45 °C / rated value	145 A
• at 50 °C / rated value	140 A
• at 55 °C / rated value	133 A
Let-through current / with high-speed activation / maximum permissible	15 kA
Let-through current / I <sub>c</sub> / maximum permissible	
• 400 V	23 000 A
• 500V	23 000 A
cut-off value I <sup>2</sup> t <sub>max.</sub> / 400 V	158 000 A <sup>2</sup> ·s

### Main circuit

Operating voltage	
• at AC / rated value / maximum	690 V
• at DC / rated value	440 V
• at DC / rated value / maximum	440 V
Operating current / with capacitive load	
• at 400 V / maximum	72 A
• at 500 V / maximum	55 A

### Auxiliary circuit

Number of CO contacts / for auxiliary contacts	0
--	---

Number of NC contacts / for auxiliary contacts	0
Number of NO contacts / for auxiliary contacts	0

### Suitability

<b>Suitability for use</b>	
• Main switch	No
• switch disconnecter	Yes
• EMERGENCY OFF switch	No
• safety switch	Yes
• maintenance/repair switch	Yes

### Product details

Product feature / interlock	Yes
Product component	
• Trip indicator	No
• Phase failure monitoring	No
• undervoltage release	No
• undervoltage release with leading contact	No
Product feature / sealable	Yes
Product extension	
• Auxiliary switch	Yes
• optional	
— locking capability	Yes
— motor drive	No
— Phase failure monitoring	Yes
— fuse monitoring	Yes
— Voltage trigger	No
— Overvoltage protection monitoring	Yes

### Product function

Product function	
• fuse monitoring	No
• Overvoltage protection monitoring	No

### Short circuit

Conditional short-circuit current (I <sub>q</sub> )	
• rated value	80 kA
• at AC / at 500 V / with high-speed activation / rated value	80 kA
• at AC / at 690 V / with high-speed activation / rated value	80 kA
• with closed switch / at AC / at 500 V / rated value	120 kA
• with closed switch / at AC / at 690 V / rated value	120 kA

Connections	
Arrangement of electrical connectors / for main current circuit	other
Connectable conductor cross-section / for main contacts	
<ul style="list-style-type: none"> <li>• single or multi-stranded / minimum</li> </ul>	6 mm <sup>2</sup>
<ul style="list-style-type: none"> <li>• single or multi-stranded / maximum</li> </ul>	70 mm <sup>2</sup>
<ul style="list-style-type: none"> <li>• finely stranded / with core end processing / minimum</li> </ul>	6 mm <sup>2</sup>
<ul style="list-style-type: none"> <li>• finely stranded / with core end processing / maximum</li> </ul>	50 mm <sup>2</sup>
<ul style="list-style-type: none"> <li>• stranded / minimum</li> </ul>	6 mm <sup>2</sup>
<ul style="list-style-type: none"> <li>• stranded / maximum</li> </ul>	70 mm <sup>2</sup>
Tightening torque / with screw-type terminals	
<ul style="list-style-type: none"> <li>• minimum</li> </ul>	10 N·m
<ul style="list-style-type: none"> <li>• maximum</li> </ul>	10 N·m
Type of electrical connection / for main current circuit	box terminal

Mechanical Design	
Height	210.4 mm
Width	105.8 mm
Depth	137.5 mm
Mounting position	horizontal/vertical
Mounting type	busbar
Mounting type	
<ul style="list-style-type: none"> <li>• floor mounting</li> </ul>	No
<ul style="list-style-type: none"> <li>• front mounting</li> </ul>	No
<ul style="list-style-type: none"> <li>• front mounting with 4-hole attachment</li> </ul>	No
<ul style="list-style-type: none"> <li>• front mounting with central attachment</li> </ul>	No
<ul style="list-style-type: none"> <li>• rail mounting</li> </ul>	Yes
Busbar center-to-center spacing	60 mm
Net weight	0.98 kg

Environmental conditions	
Degree of pollution	3
Ambient temperature	
<ul style="list-style-type: none"> <li>• during operation / minimum</li> </ul>	-25 °C
<ul style="list-style-type: none"> <li>• during operation / maximum</li> </ul>	55 °C
<ul style="list-style-type: none"> <li>• during storage / minimum</li> </ul>	-50 °C
<ul style="list-style-type: none"> <li>• during storage / maximum</li> </ul>	80 °C

Certificates	
Reference code	
<ul style="list-style-type: none"> <li>• acc. to DIN EN 61346-2</li> </ul>	Q

General Product Approval	Declaration of Conformity	Test Certificates
--------------------------	---------------------------	-------------------



[Miscellaneous](#)



[Special Test Certificate](#)

Test Certificates	Shipping Approval
-------------------	-------------------

[Type Test Certificates/Test Report](#)



LRS

### Further information

**Information- and Downloadcenter (Catalogs, Brochures,...)**

<http://www.siemens.com/lowvoltage/catalogs>

**Industry Mall (Online ordering system)**

<https://mall.industry.siemens.com/mall/en/en/Catalog/product?mlfb=3NP1133-1BC20>

**Service&Support (Manuals, Certificates, Characteristics, FAQs,...)**

<https://support.industry.siemens.com/cs/ww/en/ps/3NP1133-1BC20>

**Image database (product images, 2D dimension drawings, 3D models, device circuit diagrams, ...)**

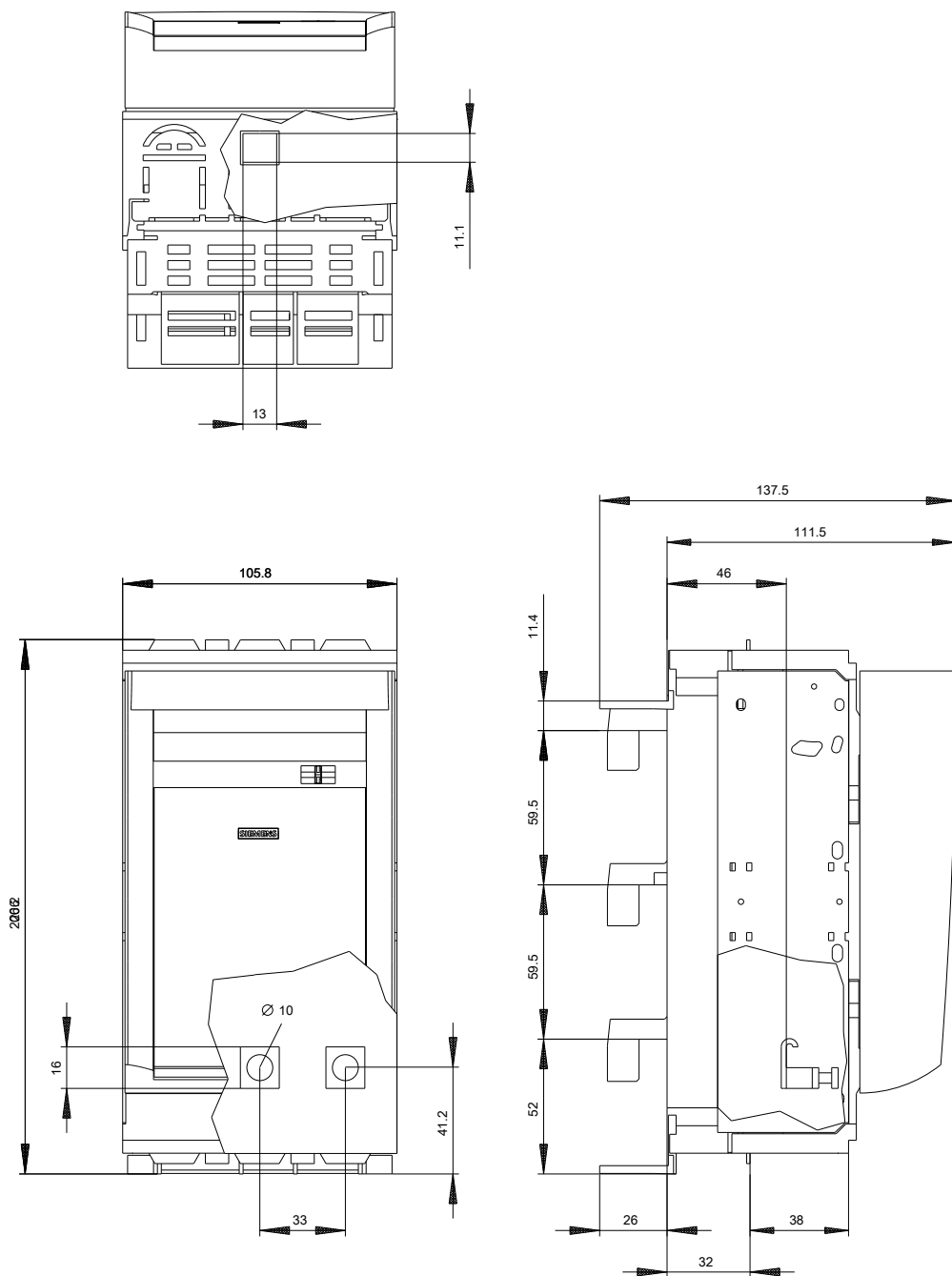
[http://www.automation.siemens.com/bilddb/cax\\_en.aspx?mlfb=3NP1133-1BC20](http://www.automation.siemens.com/bilddb/cax_en.aspx?mlfb=3NP1133-1BC20)

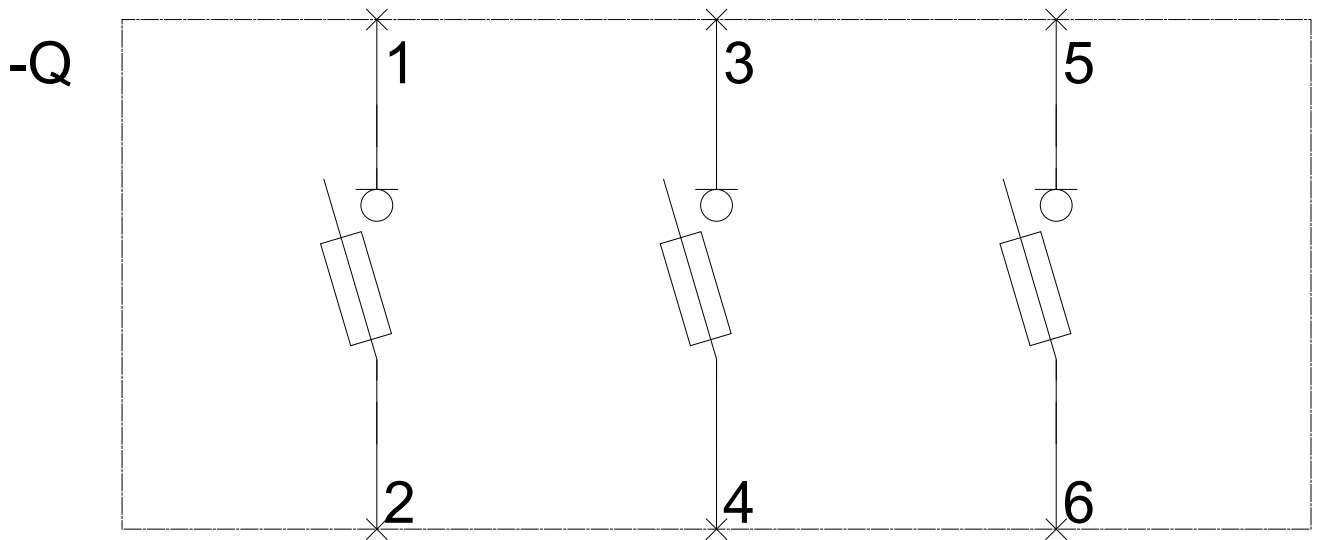
**CAX-Online-Generator**

<http://www.siemens.com/cax>

**Tender specifications**

<http://www.siemens.com/specifications>





**-CB**

