

Prestige Insulation Replacement



Kit Part Number	Description	Model
PARKIT52	Insulation/Gasket Replacement	Prestige 250
PARKIT72	Insulation/Gasket Replacement	Prestige 299/399

Each Kit Includes:

- Combustion Chamber Insulation / Gasket

Recommended Tools:

- Adjustable Wrenches
- Phillips Head Screwdriver

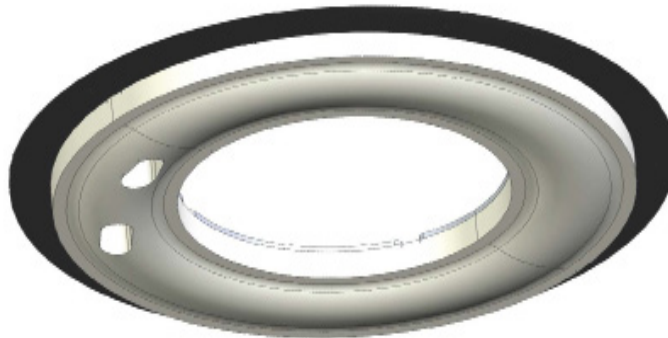


Fig. 1: Combustion Chamber Insulation/Gasket

WARNING

Indicates a potentially hazardous situation which, if ignored, can result in serious injury or substantial property damage.

NOTICE

Indicates special instructions on installation, operation or maintenance, which are important to equipment but not related to personal injury hazards.

WARNING

For your safety, turn off electrical power supply at service panel and allow unit to cool before proceeding to avoid possible electrical shock and scald hazard. Failure to do so can cause severe personal injury or death.

WARNING

Failure to follow instructions below can result in severe personal injury or damage if ignored.

- Instructions are for a qualified installer/ service technician only.
- Read all instructions before proceeding.
- Follow instructions in proper order.

Prestige Insulation Replacement



1. Preliminary Instructions:

1. Verify that the Insulation replacement kit is correct for the model of boiler. See table on page 1.
2. Carefully open and unpack the PARTS BOX from its shipping carton.
3. Carefully remove and check for any damage.

NOTICE

Do not proceed with installation and contact Triangle Tube right away if the insulation is damaged in any way.

4. Turn off the electrical power supply to the boiler.
5. Close the manual gas shut off valve to the unit.

2. Removal of the old Combustion Chamber Insulation/Gasket

1. Remove front jacket panel on the top of the boiler
2. Disconnect all the wires from the gas valve, blower and igniter.

NOTICE

Mark the proper location of all wires before removing them.

3. Disconnect the gas supply piping to the venturi. Unscrew the nut/screws on the gas piping at the bottom of the gas valve. Do not discard the gasket as it will be reused.
4. Unbolt the nuts securing the burner mounting plate to the heat exchanger. Do NOT discard the heat exchanger nuts.
5. Remove the blower/venturi/gas valve assembly from the boiler by lifting the burner mounting plate straight up until the burner and igniter clear the insulation.

NOTICE

Ensure the burner and igniter are not damaged when removing from the heat exchanger. Contact Triangle Tube right away if they are damaged.



Fig. 2: Prestige 250

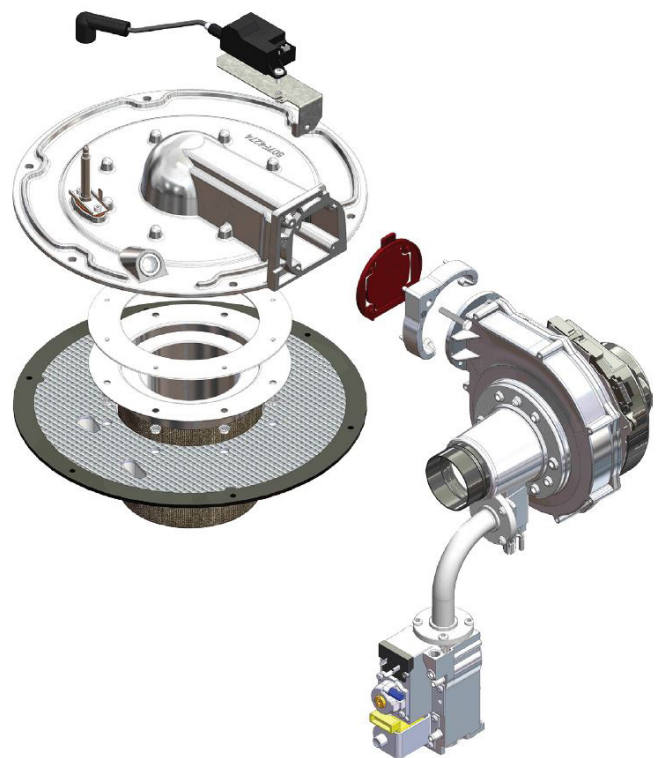


Fig. 3: Prestige 299-399

Prestige Insulation Replacement



- Note the location of the igniter and sight glass cut-outs in the old insulation before removing. Remove the old combustion chamber insulation from the boiler.

3. Installation of the new Combustion Chamber Insulation/Gasket

- Install the combustion chamber insulation on the heat exchanger with the fabric side down and the igniter and sight glass cut outs matching the old insulation.

NOTICE

For the reassembly process do not use adhesives on ANY gasket surface.



Ensure the gasket is in place before reassembly. Failure to do so can result in death, serious injury or substantial property damage.

- Carefully re-insert the blower/venturi/gas valve assembly straight down into the heat exchanger body. Align the sight glass and igniter with the combustion chamber insulation cutouts to avoid damage.

NOTICE

Ensure to not damage the igniter or burner head during re-installation.

- Hand tighten the Burner Plate Mounting Nuts to hold the burner assembly in place. Then using a wrench tighten each nut to 44-53 in-lbs.



Do not over tighten. Pinching or tearing of the burner plate gasket may occur causing the possible escape of combustion gases from the combustion chamber resulting in death, serious injury or substantial property damage.

- Re-connect the gas supply piping to the gas valve. Ensure the pipe gasket is properly seated before tightening the nut.



Ensure the gasket is in place before reassembly. Failure to do so can result in death, serious injury or substantial property damage.

- Re-attach all the wires to the gas valve, blower and igniter.
- Turn on gas supply to the inlet of the unit at the main manual shutoff valve to the unit. Check and test all gas connections for leaks. Repair leaks if found.



Do not check for gas leaks with an open flame. Use a bubble test. Failure to check for gas leaks can cause severe personal injury, death or substantial property damage.

- Turn power to the unit "ON". The unit is now ready to be placed back into service.