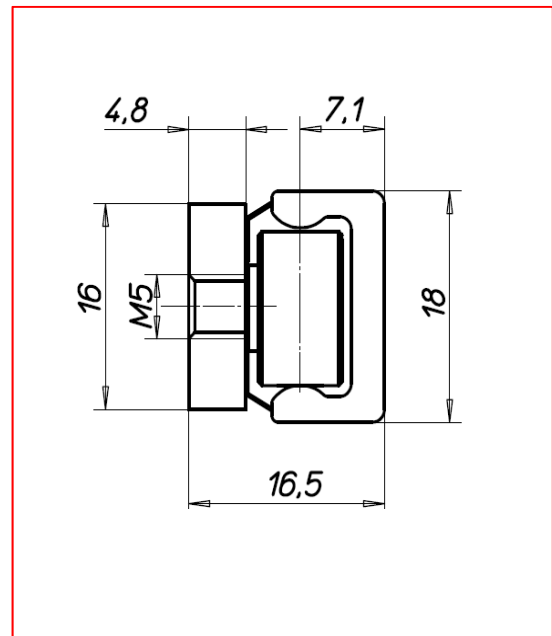
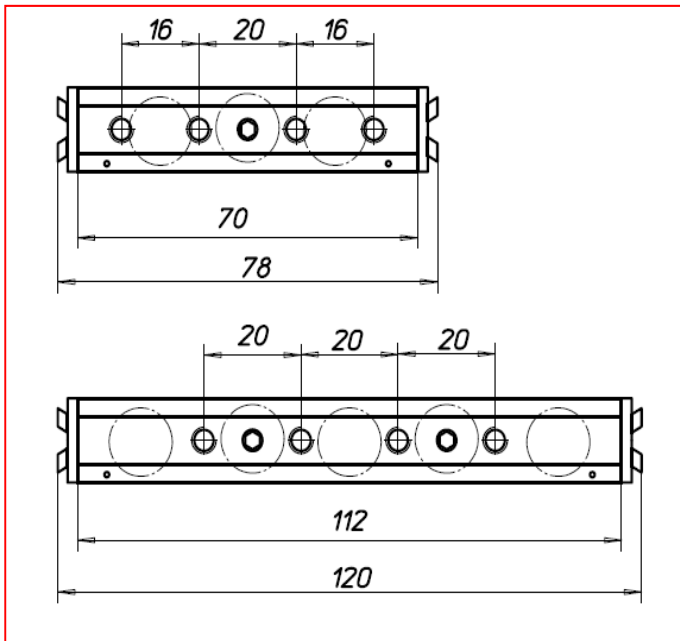
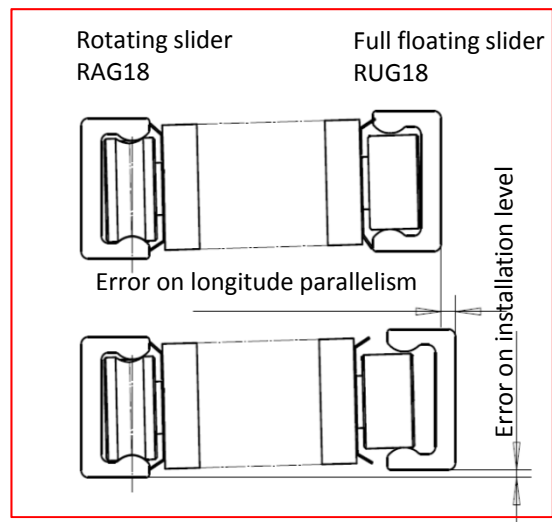
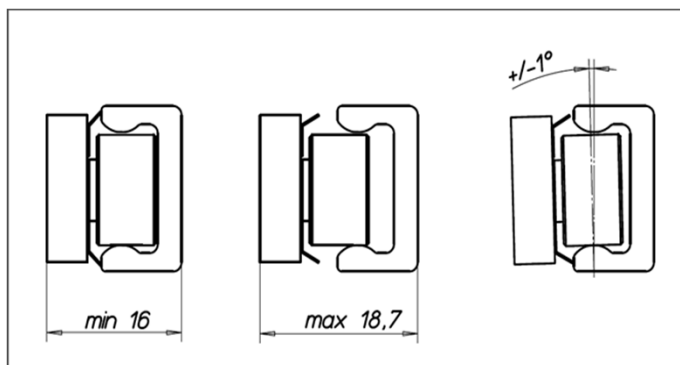


## New «full floating» roller sliders RUG18 for MRG18 rails

The new Full Floating Sliders RUG18 are obtained by utilizing all flat floating rollers RCUG18 and REUG18, these sliders are able to carry the load in the radial direction and also float and rotate a small amount in the rail without affecting the preload or quality of the movement and without binding. Full Floating sliders are used in rail MRG18 systems to absorb parallelism errors in the mounting surfaces. This sliders allow greater axial displacement compare to RPG18 version, where the axial displacement is not limited and the rollers could touch the inner surface of the rail or fall out completely from the rail if the errors exceed the dimensions below indicated.



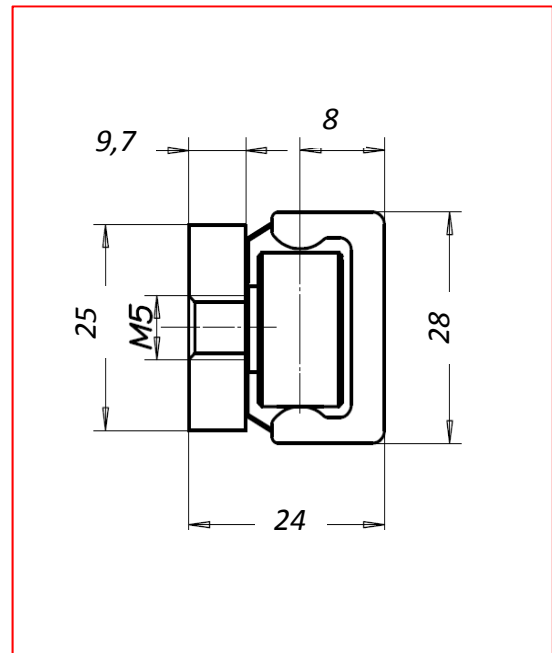
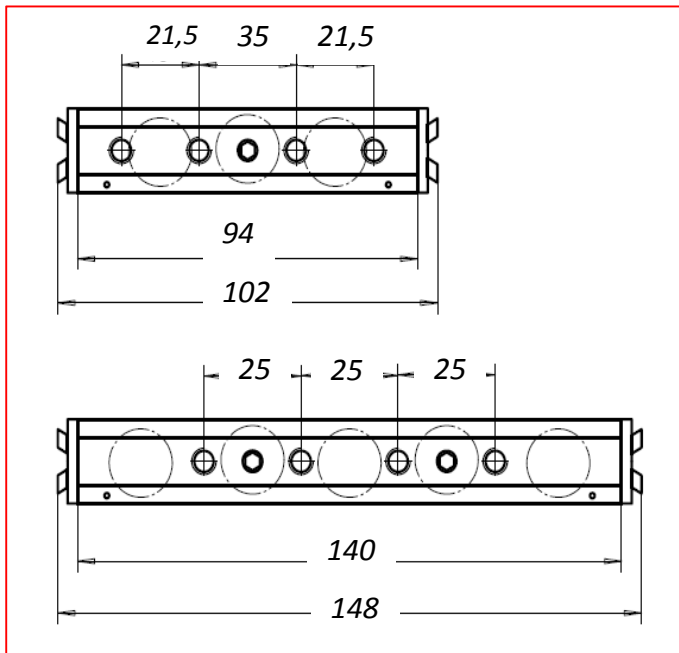
Code	Rail type	Weight (g)	Dynamic coeff. C (N)	Load capacity				
				Co rad (N)	Co ax (N)	Mx (Nm)	My (Nm)	Mz (Nm)
RUG18-3	MRG18	75	2500	1200	0	0	0	11,2
RUG18-5		120	3400	1650	0	0	0	36



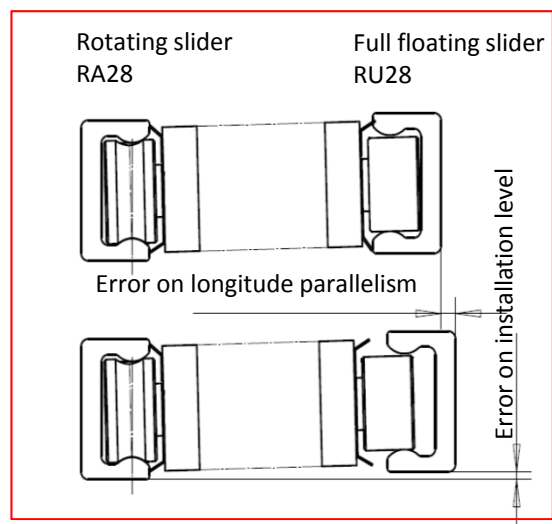
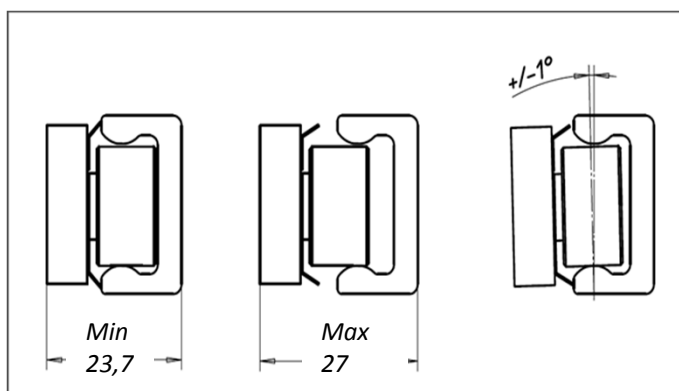
Dimensions of MRG18 rail, and others information are indicated on the General Catalogue

## New «full floating» roller sliders RU28 for MR28 rails

The new Full Floating Sliders RU28 are obtained by utilizing all flat floating rollers RCU28 and REU28, these sliders are able to carry the load in the radial direction and also float and rotate a small amount in the rail without affecting the preload or quality of the movement and without binding. Full Floating sliders are used in rail MR28 systems to absorb parallelism errors in the mounting surfaces. This sliders allow greater axial displacement compare to RP28 version, where the axial displacement is not limited and the rollers could touch the inner surface of the rail or fall out completely from the rail if the errors exceed the dimensions below indicated.



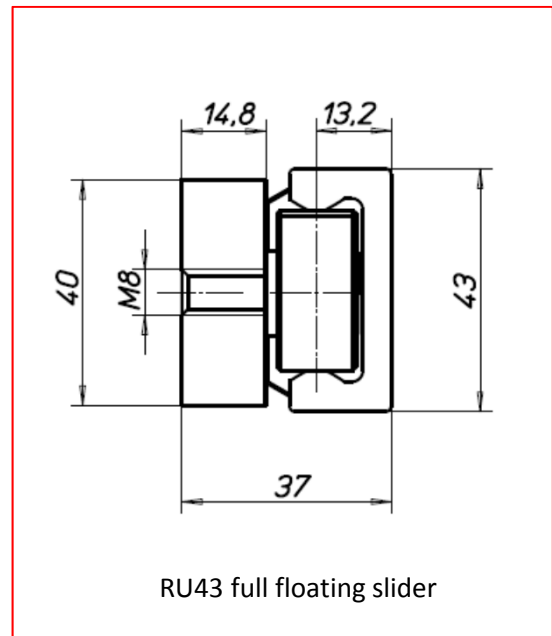
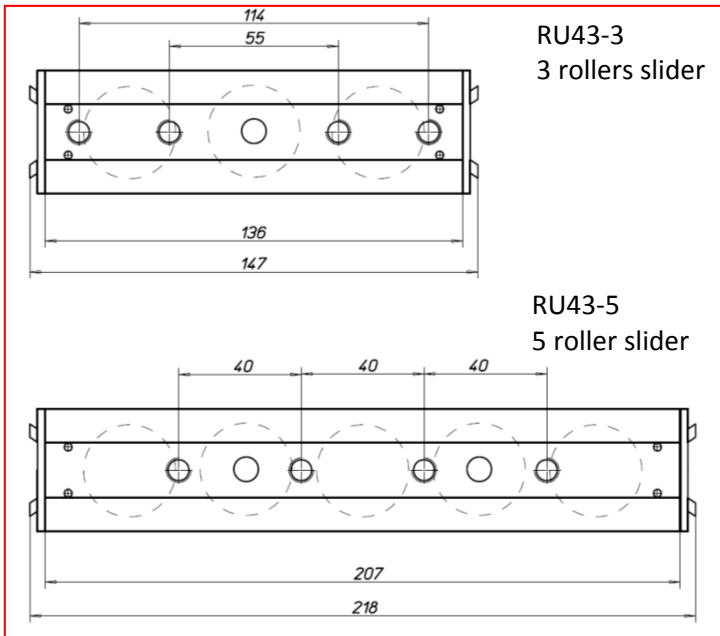
Code	Rail type	Weight (g)	Dynamic coeff. C (N)	Load capacity				
				Co rad (N)	Co ax (N)	Mx (Nm)	My (Nm)	Mz (Nm)
RU28-3	MR28	240	2500	2400	0	0	0	35
RU28-5		360	6070	3200	0	0	0	90



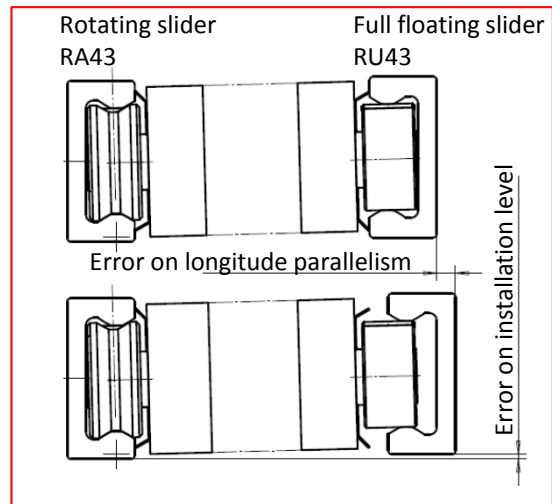
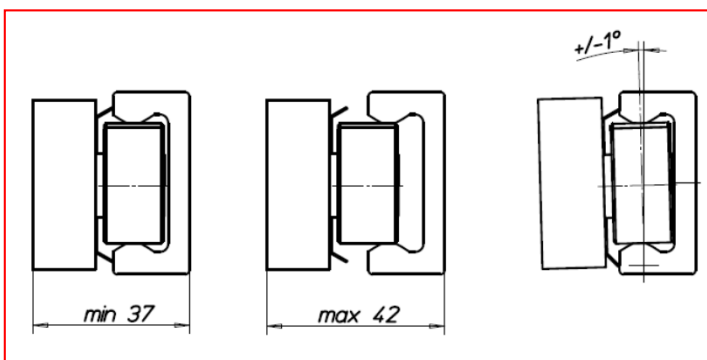
Dimensions of MR28 rail, and others information are indicated on the General Catalogue

## New «full floating» roller sliders RU43 for MR43 rails

The new Full Floating Sliders RU43 are obtained by utilizing all flat floating rollers RCU43 and REU43, these sliders are able to carry the load in the radial direction and also float and rotate a small amount in the rail without affecting the preload or quality of the movement and without binding. Full Floating sliders are used in rail MR43 systems to absorb parallelism errors in the mounting surfaces. This sliders allow greater axial displacement compare to RP43 version, where the axial displacement is not limited and the rollers could touch the inner surface of the rail or fall out completely from the rail if the errors exceed the dimensions below indicated.



Code	Rail type	Weight (g)	Dynamic coeff. C (N)	Load capacity				
				Co rad (N)	Co ax (N)	Mx (Nm)	My (Nm)	Mz (Nm)
RU43-3	MR43	730	10700	5400	0	0	0	118
RU43-5		1130	14400	7300	0	0	0	315



Dimensions of MR43 rail, and others information are indicated on the General Catalogue