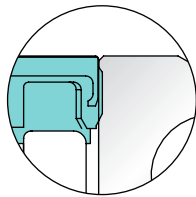
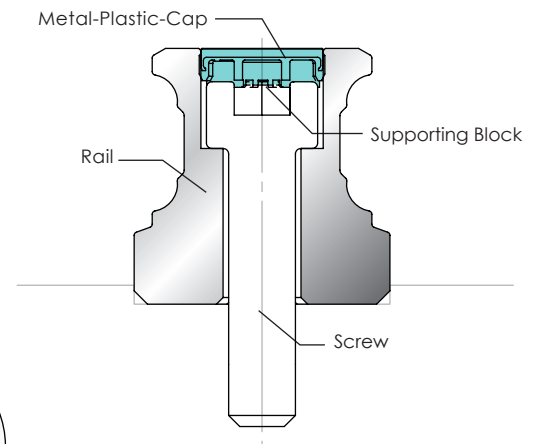


# Metal-Plastic-Cap Patent Design for Standard Rail-Bolt-Hole

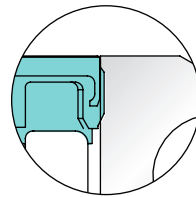
## Metal Cap Features Introduction

### The Most Convenient Metal Cap Used in Industry

- The upper part of the cap is made of stainless steel, and can prevent sharp foreign objects from piling up on the bolt-hole, resulting in affecting the end seal function.
- The lower part of the cap is made of plastic, and can directly be installed on standard rail, no need to conduct other fine slot milling for bolt-hole.
- The bolt-hole chamfer for standard rail is C0.2mm. For further strict dustproof request, non-bolt-hole chamfer rail is optional upon ordering. (Ordering Code / MPC)



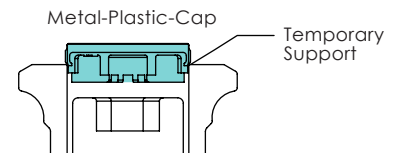
Bolt-Hole with Chamfer  
(standard)



Bolt-Hole without Chamfer  
(optional: /TR)

### Cap can be Smoothly Installed on Bolt-Hole

Bolt-hole cap of conventional linear guides, due to not having good control in hammering, results in cap being hammered too deep or unevenness, and will accumulate dirt or scrap iron easily. cpc cap is especially designed with supporting block to prop up the cap, fixing with the screw stably, and thus prevent sinking.

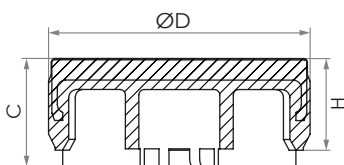


Cap before Hammering  
(Plastic Support)



Plastic Support after Hammering  
(8 supporting block become deformed, and fit with the screw)

## Dimensions and Specifications



Model Code	Screw	External Diameter D	Cup Height H	Block Height C	Rail
A4	M4	7.7	3.6	1.7	AR15 , WRC21/15
A5	M5	9.7	3.4	4.0	AR20
A6	M6	11.3	2.9	3.5	AR25
A8	M8	14.3	3.9	4.5	AR30 , AR35
A12	M12	20.4	5.0	5.6	AR45