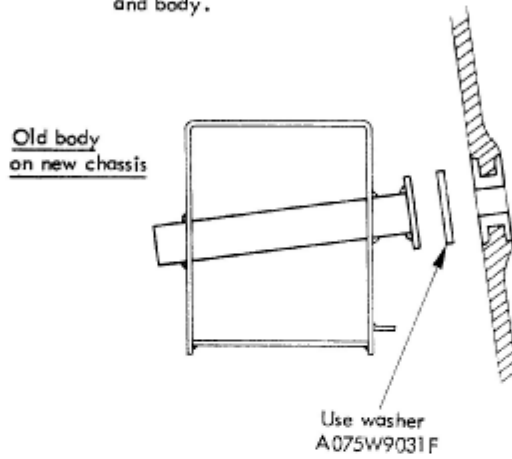


When fitting an old body onto a new chassis, or new body or body section onto an old chassis, care must be taken to attain compatibility by one of the following methods.

- a) 'Old' body ('laminated in' type bobbins) onto new chassis:  
Fit 12 x 28 x 2.5 plain washer A075W9031F between chassis and body.



- b) New body or body section (bifurcated bobbins) onto old chassis:  
Cut 5 mm from the rear end of the crossmember tubes, and fit a 12 x 28 x 2.5 plain washer A075W9031F between chassis and body.

