

Features

- Compact, streamlined one-piece smart toilet with integrated personal cleansing
- Elongated bowl offers added room and comfort
- Comfort Height® feature offers chair-height seating that makes sitting down and standing up easier for most adults
- Dual flush offers a choice of 0.8 or 1.0 gpf (3.0 or 3.8 lpf)
- Stainless steel wand offers adjustable spray shape, position, water pressure, temperature, pulsate, and oscillate functions
- Front and rear wash modes provide warm water for cleansing
- Self-cleaning function uses UV light and electrolyzed water systems to automatically clean the wand surfaces
- Motion-activated, hands-free opening/closing of seat and cover
- Quiet-Close™ lid and seat prevents slamming
- Bowl is automatically misted prior to use for more effective rinsing while flushing
- Heated seat with adjustable temperature settings
- Warm-air drying system
- Automatic deodorization system
- LED lighting illuminates the bowl to serve as a nightlight
- Emergency flush supports up to 100 flushes during power outage with simple touch-button activation
- Power-Save mode monitors usage and adjusts heated seat settings to save energy

Technology

- KOHLER Konnect® app allows preferences and presets for your features to be set with ease
- Integrated and surround LED lighting feature delivers five preloaded sensory experiences from the remote or KOHLER Konnect® app, with additional customization available
- Switch between seven ambient lighting shades using the KOHLER Konnect® app

Installation

- Standard 12" (305 mm) rough-in
- Requires dedicated electrical GFCI circuit (120V, 15A, 60Hz)

Included Components

Additional Components:

- Block mounting kit
- Inlet hose kit
- Remote control
- Supply line



ADA

CSA B651

OBC

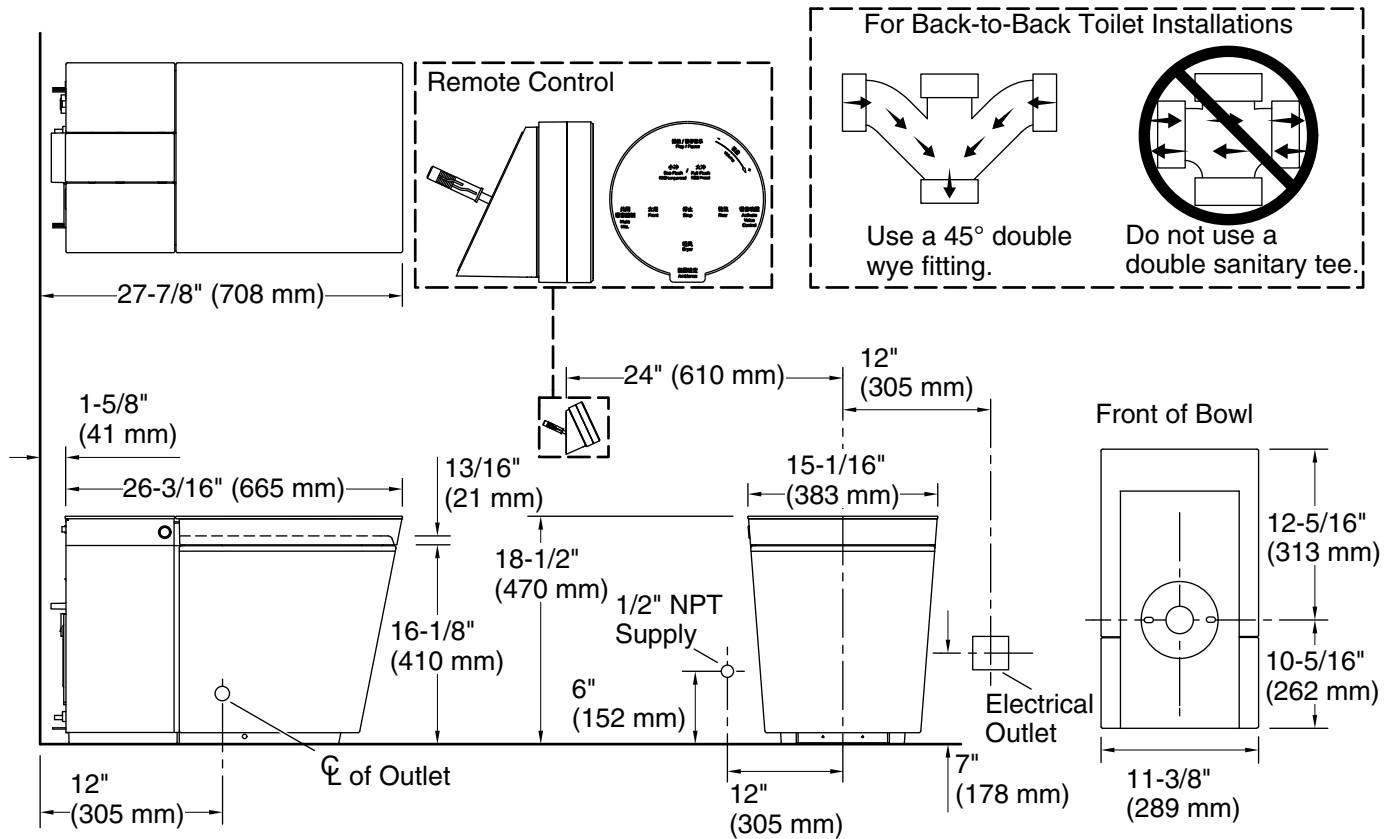
Codes/Standards

ASME A112.19.2/CSA B45.1
ASME A112.4.2/CSA B45.16
ASME A112.19.14
DOE - Energy Policy Act 1992
EPA WaterSense®
California Energy Commission (CEC)
UL 1951
CSA C22.2 No. 14
CSA C22.2 No. 68
ADA
ICC/ANSI A117.1
CSA B651
OBC

KOHLER® Intelligent Toilet and C3® Cleansing Seat Three-Year Limited Warranty

See website for detailed warranty information.

The BLUETOOTH® word mark and logos are registered trademarks owned by Bluetooth SIG, Inc. and any use of such marks by Kohler Co. is under license. Other trademarks and trade names are those of their respective owners.



Required Electrical Service

One dedicated circuit required, protected with Class A Ground-Fault Circuit-Interrupter (GFCI). Outside North America, this device may be known as a Residual Current Device (RCD).

120 V, 60 Hz

Technical Information

All product dimensions are nominal.

Toilet type:	Floor-mount
Waste Outlet:	Floor
Bowl shape:	Elongated
Flush type:	Numi
Trap passageway:	2" (51 mm)
Water surface size:	8" x 6-3/8" (203 mm x 162 mm)
Rim to water surface:	5-7/8" (150 mm)
Rough-in:	12" (305 mm)
Template:	Footprint, 1495693, required, included

Fixture Supply Requirements

Min static pressure: 35 psi (241.3 kPa)

1-800-4KOHLER (1-800-456-4537)

Kohler Co. reserves the right to make revisions without notice to product specifications.

For the most current Specification Sheet, go to www.kohler.com.

3-7-2023 00:26 - US/CA/LM/MX

Notes

Install this product according to the installation instructions.

ADA, OBC, CSA B651 compliant when installed to the specific requirements of these regulations.

Plumbing codes may require elongated toilets and elongated, open-front seats in public bathrooms.

Accessibility standards may require controls to be located on the open side of the toilet.