



Langlade® Smart Divide®
Under-mount Kitchen Sink
K-6626-6U

Features

- 36-inch minimum base cabinet width.
- KOHLER cast iron.
- Acid-resistant enamel finish.
- Double (equal) compartment.
- Under-mount.
- Smart Divide™ lowered divider.
- 6-hole (oversize).

Recommended Accessories

- K-9000 P-Trap
- K-6061 Sink Rack
- K-6066 Sink Rack

Components

Additional included component/s: Cut-out template, and Under-mount sink kit included.



Codes/Standards

ASME A112.19.1/CSA B45.2

KOHLER® Lifetime Limited Warranty for Cast Iron Components

See website for detailed warranty information.

Available Color/Finishes

Color tiles intended for reference only.

| Color | Code | Description |
|-------|------|---------------|
| | 0 | White |
| | FF | Sea Salt™ |
| | 96 | Biscuit |
| | 47 | Almond |
| | FD | Cane Sugar™ |
| | NY | Dune |
| | 95 | Ice™ Grey |
| | G9 | Sandbar |
| | 33 | Mexican Sand™ |
| | K4 | Cashmere |
| | FT | Basalt |
| | 58 | Thunder™ Grey |
| | 20 | Suede |
| | KA | Black 'n Tan |
| | FP | Caviar |
| | 7 | Black Black™ |

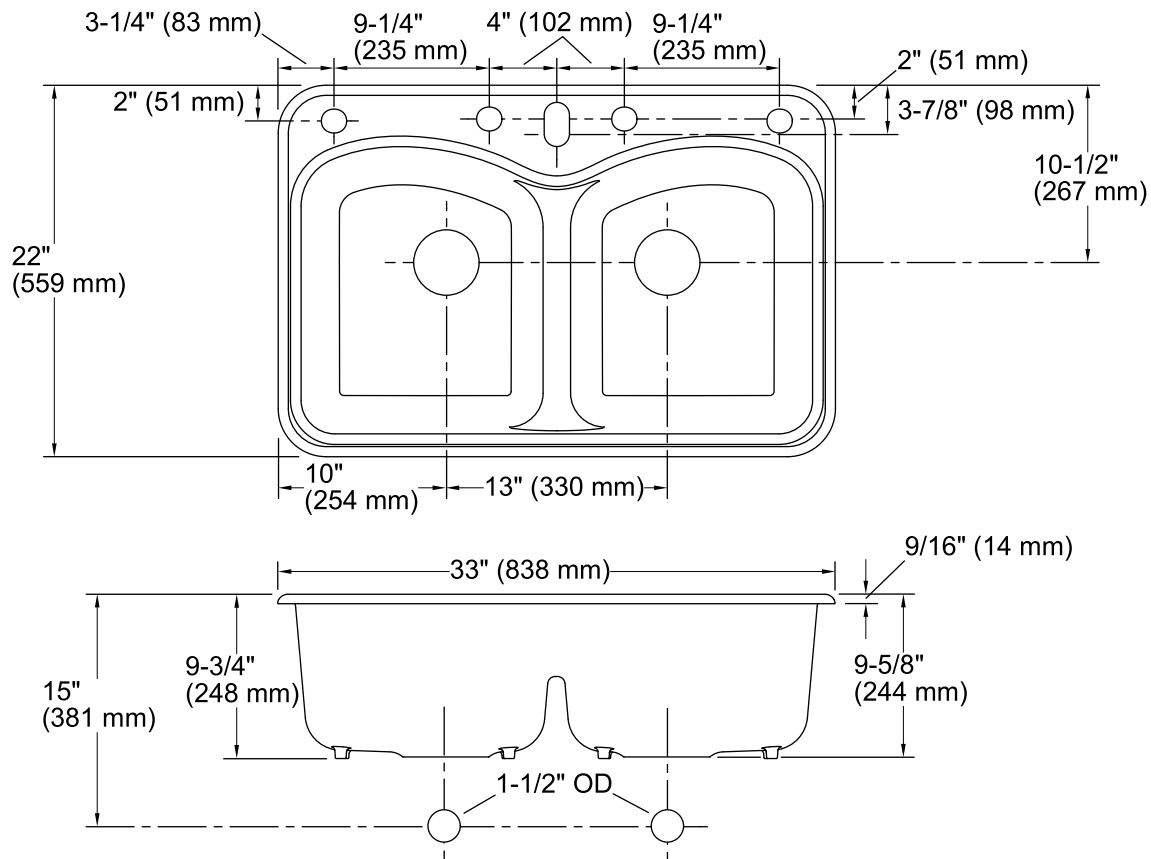
USA/Canada: 1-800-4KOHLER (1-800-456-4537)

Kohler Co. reserves the right to make revisions without notice to product specifications.

For the most current Specification Sheet, go to www.kohler.com.

8-6-2015 02:00





Technical Information

All product dimensions are nominal.

Bowl configuration: Double equal

Installation: Under-mount

Bowl area (Left) Length: 15" (381 mm)
 Width: 18-3/8" (467 mm)
 Bowl depth: 9" (229 mm)

Bowl area (Right) Length: 15" (381 mm)
 Width: 18-3/8" (467 mm)
 Bowl depth: 9" (229 mm)

Number of deck holes: 6

Faucet hole(s): 2-3/8" (60 mm)

Drain hole: 3-5/8" (92 mm)

Template: Top-mount, 1043753-7, required, included

Notes

Install this product according to the installation guide.