

1384-1386 PROTECTOR®

MANSFIELD®

Elongated Front, SmartHeight™, No-Overflow, Vitreous China, Two-Piece Toilet

FEATURES

- No-Overflow toilet
- Secondary drain concealed within the bowl
- 1.6 gpf / 6.0 lpf low water consumption
- PuraClean® easy-to-clean glaze
- SmartFasten™ 3-bolt tank-to-bowl connection
- Oversized footprint
- Elongated front, SmartHeight™ bowl
- Pilot anti-siphon fill valve
- 3" flush valve
- 12" rough-in
- Model 54 decorative metal trip lever
- 2" glazed trapway
- The Mansfield® limited lifetime warranty
- Available in White



MODEL 1384-1386

Toilet seat not included

Available as CTK



ELONGATED





SMARTHEIGHT ADA



CTK

COMPONENTS

MODEL #	DESCRIPTION	CODES/STANDARDS
1384-1386	Elongated front, SmartHeight™, two-piece toilet. Less toilet seat and supply.	 
1384	Elongated front, SmartHeight™ toilet bowl only. Less supply.	
1386	Tank and cover only, with left hand, front-mount, chrome-plated, metal trip lever. Less supply.	

TANK TRIM & REPLACEMENT PARTS

54	Trip lever - chrome-plated, metal trip lever, left hand
206-1112	3" flapper flush valve
2206	Pilot operated fill valve
630-0207	3" Replacement flapper
386-LID	Tank lid





1384-1386 PROTECTOR®



Elongated Front, SmartHeight™, No-Overflow, Vitreous China, Two-Piece Toilet

SPECIFICATIONS

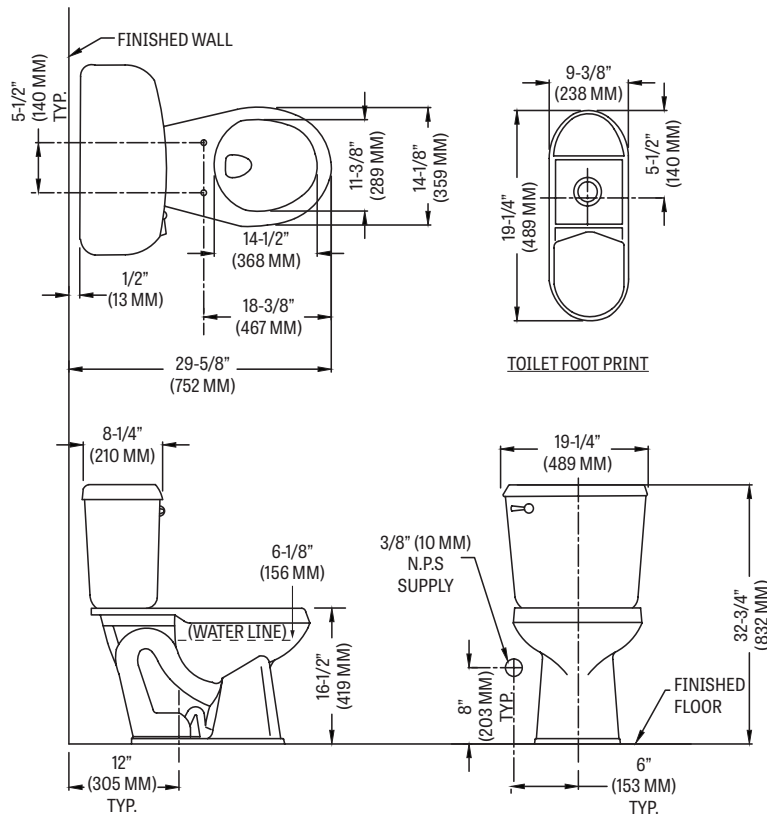
MODEL #	DESCRIPTION	CODES/STANDARDS
1384-1386	Elongated front, SmartHeight™ (1.6 gpf/6.0 lpf) two-piece toilet	 

MATERIAL	Vitreous China
WATER PRESSURE RANGE	20 to 80 PSI
FLUSH SYSTEM	3' MagnaFlush™ flushing technology
WATER USAGE	1.6 gpf / 6.0 lpf
WATER SURFACE AREA	7-3/4' X 8-3/4'
ROUGH-IN	12'
MAP RATING	800 grams

TRAP DIAMETER	2'
TRAP SEAL	2'
SHIPPING WEIGHT	Model 1384 - 55 lbs. (25 kg) Model 1386 - 35 lbs. (16 kg)
WARRANTY	Vitreous China - Limited Lifetime Tank Trim - Limited One Year

TECHNICAL INFORMATION

Note: these dimensions are nominal and subject to change without notice.



Fixture performance and specifications meet or exceed ASME A112.19.2/CSA B45.1 standards, and other state and local codes.

