



Lead Free Brass Ball Valve Sweat

Features

Two-Piece Body

Full Port

Blowout-Proof Stem

PTFE Seats

Lead Free & Dezincification Resistant Material

IAPMO Listed to cUPC, NSF/ANSI 61& NSF/ANSI 372

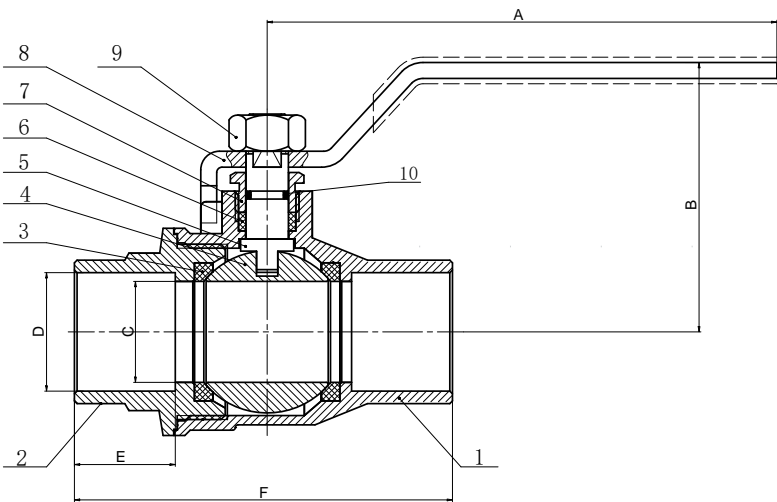
FM Approved

600 PSI WOG / 600 PSI CWP

Size : 1/2" – 2"



Material



Item	Part Name	Material	PCS
1	Body	C46500 LF Brass	1
2	End Cap	C46500 LF Brass	1
3	Ball Seat	PTFE	2
4	Ball	SS304	1
5	Stem	Brass	1
6	Packing Gland	PTFE	1
7	Packing Nut	Brass	1
8	Lever Handle	Steel	1
9	Nut	Steel	1
10	O-ring	FPM	1

Dimension

Product#	Size	A		B		C Ø		D		E		F	
	In.	In.	mm.	In.	mm.	In.	mm.	In.	mm.	In.	mm.	In.	mm.
4PRO12LFCBV	1/2"	3.54	90	1.84	46.7	0.58	14.8	0.63	16	0.51	13	2.10	53.4
4PRO34LFCBV	3/4"	3.78	96	2.11	53.5	0.75	19	0.88	22.3	0.75	19	2.80	71.2
4PRO1LFCBV	1"	4.53	115	2.45	62.2	0.94	24	1.13	28.7	0.91	23	3.30	83.9
4PRO114LFCBV	1-1/4"	4.53	115	2.86	72.7	1.26	32	1.38	35	0.97	24.7	3.81	96.9
4PRO112LFCBV	1-1/2"	5.51	140	3.17	80.5	1.57	40	1.63	41.4	1.10	28	4.43	112.6
4PRO2LFCBV	2"	5.51	140	3.49	88.6	1.97	50	2.13	54.1	1.35	34.2	5.37	136.5