

Material

- Includes face plate with Oyl handle.
- Single Oyl handle controls temperature setting.
- Supplied with metal Oyl handle.
- Complements the Components faucet and accessory collections.
- Premium material construction with metal handle ensures reliability and durability.
- KOHLER finishes resist corrosion and tarnishing, exceeding industry durability standards.
- Trim set requires valve to complete installation.
- Patented K-joint installation technology ensures consistent trim appearance, regardless of variability in valve rough-in.
- Single handle allows for simultaneous on/off activation and temperature setting.
- Includes faceplate with metal Oyl handle.
- Coordinates with Components faucets and accessories to complete your bathroom.
- Premium material construction with metal handle ensures reliability and durability.
- KOHLER finishes resist corrosion and tarnishing.
- Trim only; requires K-2975-KS or K-2972-KS MasterShower thermostatic valve (sold separately).
- Patented K-joint installation technology ensures consistent trim appearance, regardless of variability in valve rough-in.

Required Products/Accessories

K-2972-KS 1/2" Thermostatic Mixing Valve

or

K-2975-KS 3/4" Thermostatic Mixing Valve



Codes/Standards


ASME A112.18.1/CSA B125.1

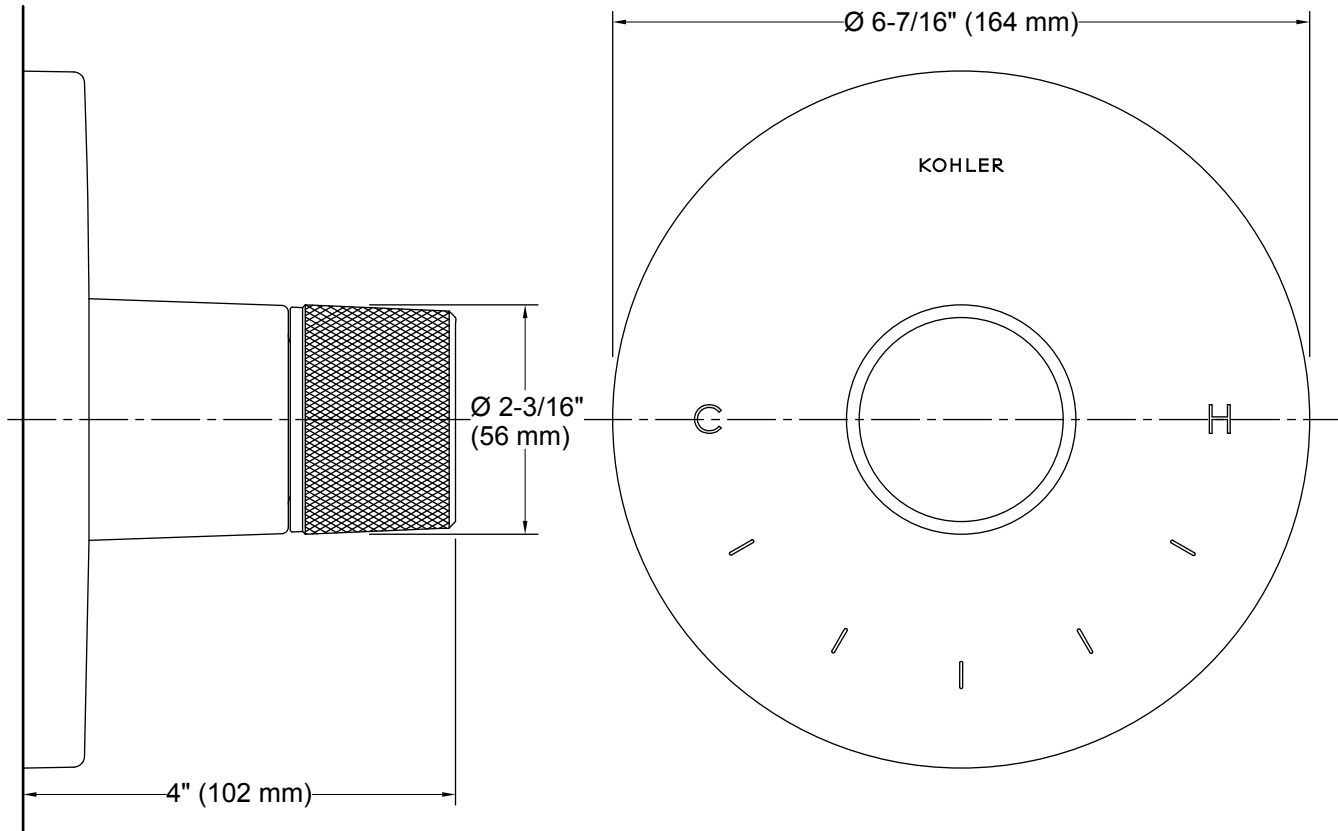
KOHLER® Faucet Lifetime Limited Warranty

See website for detailed warranty information.

Available Colors/Finishes

Color tiles intended for reference only.

Color	Code	Description
	CP	Polished Chrome
	BN	Vibrant® Brushed Nickel
	BL	Matte Black
	TT	Titanium



Technical Information

All product dimensions are nominal.

Notes

Install this product according to the installation instructions.