

# DAYTON SPECIFICATIONS

## Dayton® A.D.A. Compliant Sink Models GE12521, GE12521L, GE12521R, GE23321 and GE23322

### GENERAL

Sink is formed of #22 (.8mm) gauge, 300 series, nickel-bearing stainless steel. Top mount.

### DESIGN FEATURES

Bowl Depth: 5-3/8" (137mm).

Coved Corners: 3" (76mm) vertical and 2-1/4" (57mm) horizontal radius.

Finish: Exposed surfaces are polished to a satin finish.

Underside: Undercoated on bottom of bowls.

### OTHER

Drain Opening: 3-1/2" (89mm).

Suffix L (left) or R (right) denotes location of the drain.

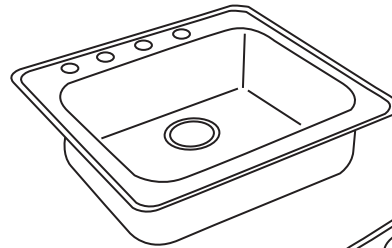
These Sinks comply with ASME A112.19.3/ CSA B45.4



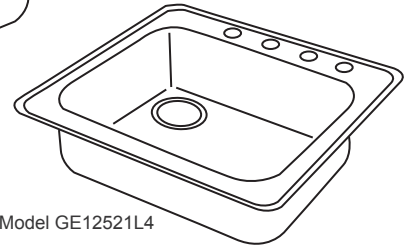
Sinks are listed by IAPMO® as meeting the applicable requirements of the Uniform Plumbing Code®, International Plumbing Code®, and National Plumbing Code of Canada.



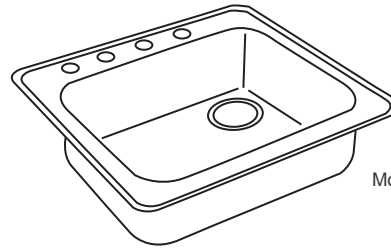
These sinks are compliant to ADA and ANSI/ICC A117.1 accessibility requirements when installed according to the requirements outlined in these standards.



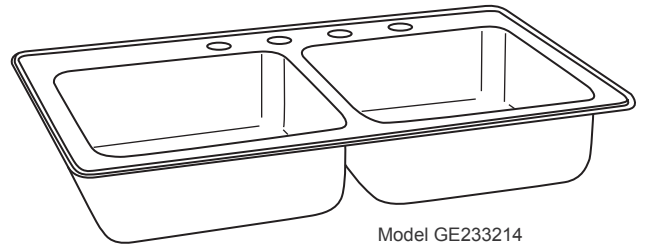
Model GE125214



Model GE12521L4

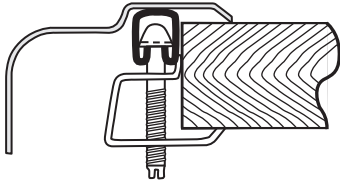


Model GE12521R4



Model GE233214

### U-Channel Type Mounting System

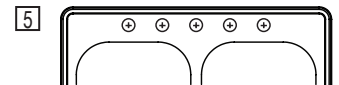
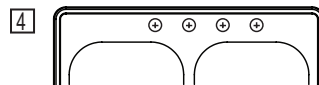
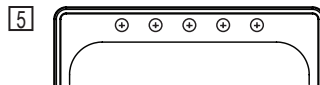
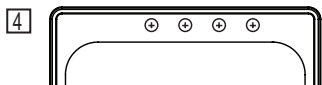
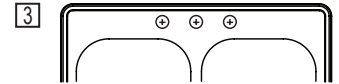
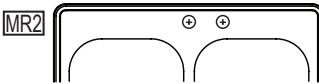
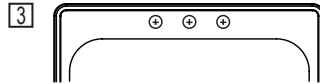
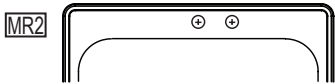
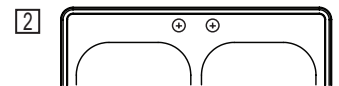
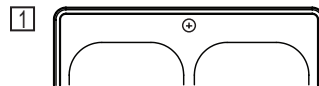
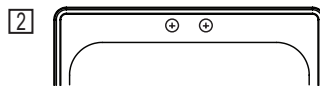
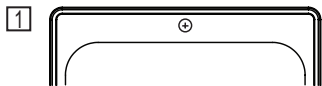


### Hole Drilling Configurations

1-1/2" (38mm) Diameter Faucet Holes on 4" (102mm) Centers

### Hole Drilling Configurations

1-1/2" (38mm) Diameter Faucet Holes on 4" (102mm) Centers



SEE OTHER SIDE FOR PRODUCT DIMENSIONS.

In keeping with our policy of continuing product improvement, Elkay reserves the right to change product specifications without notice. Please visit [elkay.com](http://elkay.com) for the most current version of Elkay product specification sheets.

This specification describes an Elkay product with design, quality, and functional benefits to the user. When making a comparison of other producers' offerings, be certain these features are not overlooked.

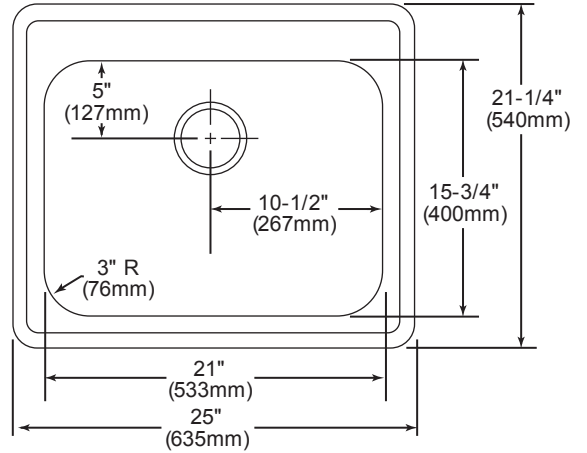
**Dayton® A.D.A. Compliant Sink**  
**Models GE12521, GE12521L,**  
**GE12521R, GE23321 and GE23322**

**DAYTON**  
**SPECIFICATIONS**

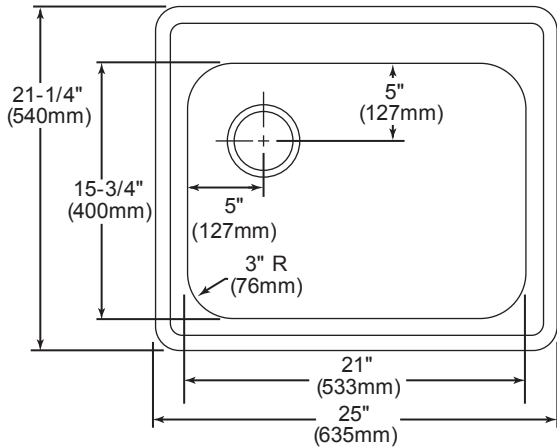
**SINK DIMENSIONS\***

Model Number	Overall		Inside Each Bowl			Cutout in Countertop (1 1/2" [38mm] Radius Corners)		No. of 1 1/2" (38mm) Dia. Faucet Holes	Minimum Cabinet Size
	L	W	L	W	D	L	W		
GE12521	25 (635mm)	21 1/4 (540mm)	21 (533mm)	15 3/4 (400mm)	5 3/8 (137mm)	24 3/8 (619mm)	20 5/8 (524mm)	1, MR2, 2,3,4,5	30 (762mm)
GE12521L	25 (635mm)	21 1/4 (540mm)	21 (533mm)	15 3/4 (400mm)	5 3/8 (137mm)	24 3/8 (619mm)	20 5/8 (524mm)	1, MR2, 2,3,4,5	30 (762mm)
GE12521R	25 (635mm)	21 1/4 (540mm)	21 (533mm)	15 3/4 (400mm)	5 3/8 (137mm)	24 3/8 (619mm)	20 5/8 (524mm)	1, MR2, 2,3,4,5	30 (762mm)
GE23321	33 (838mm)	21 1/4 (540mm)	14 (356mm)	15 3/4 (400mm)	5 3/8 (137mm)	32 3/8 (821mm)	20 5/8 (524mm)	1, MR2, 2,3,4,5	36 (914mm)

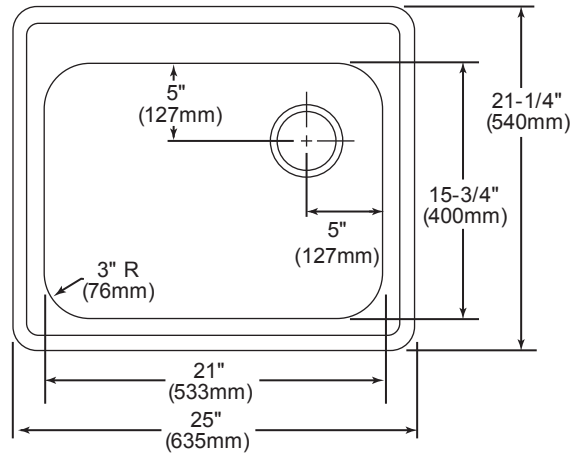
\*Length is left to right. Width is front to back.



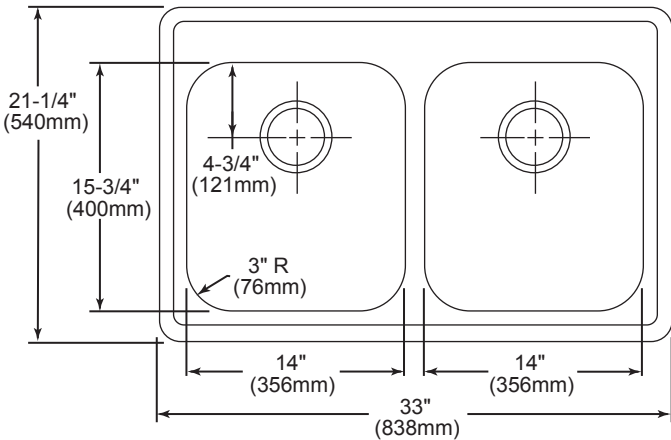
Model GE12521 Illustrated



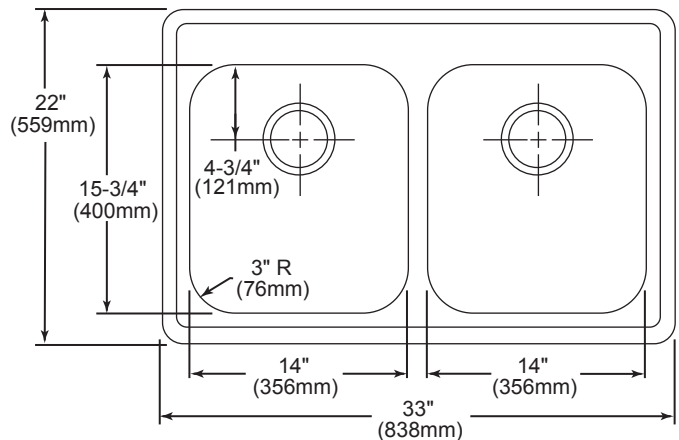
Model GE12521L Illustrated



Model GE12521R Illustrated



Model GE23321 Illustrated



Model GE23322 Illustrated

In keeping with our policy of continuing product improvement, Elkay reserves the right to change product specifications without notice. Please visit [elkay.com](http://elkay.com) for the most current version of Elkay product specification sheets.

This specification describes an Elkay product with design, quality, and functional benefits to the user. When making a comparison of other producers' offerings, be certain these features are not overlooked.