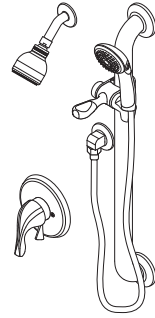


Location:



SYMMONS® Origins[®]



S-9608-PLR, S-9608-PLR-TRM, S9608PLR, S9608PLRTRM
Shower/Hand Shower Trim

Specification Submittal

Feature Highlights

- Origins Shower/Hand Shower Trim.
- Requires Temptrol® Pressure-Balancing Shower Valve.
- Integral diverter control.
- Metal lever handle.
- ADA 36" grab bar for hand shower wand.
- Dual checks for backflow protection.
- 60" flexible metal hose.
- Single-mode hand shower wand with Non-Positive Shutoff (NPSO).
- Single-mode showerhead with easy to clean nozzles.
- Standard 2.0 gpm (7.6 L/min) flow rate.
- Components shall be metal and nonmetal construction, plated in standard Polished Chrome finish.

Options/Modifications

- 15** 1.5 gpm (5.7 L/min) flow restrictor
- L1** Less showerhead
- L2** Less hand shower (wand only)
- L3** Less showerhead & hand shower wand
- L4** Less head, arm and flange
- L5** Less hand shower system (less bar, hose, wand, and elbow)
- L7** Less handle
- TC** Test Cap Trim
- CHKS** Integral check stop
- STN** Satin Nickel finish
- B** Brass escutcheon (chrome only)
- X** Integral service stops - allows water shut-off at valve for service

Model Numbers

- S-9608-PLR**
Tub/Shower/Hand Shower System with integral volume control & Temptrol Pressure Balancing Shower Valve (modifiers include decimal points and hyphens)
- S9608PLR**
Tub/Shower/Hand Shower Trim with integral volume control, Temptrol Pressure Balancing Shower Valve ordered separately (use when ordering L1-L7 modifications, do not use hyphens or decimal points)
- S-9608-PLR-TRM**
Tub/Shower/Hand Shower Trim with integral volume control, Temptrol Pressure Balancing Shower Valve ordered separately (modifiers include decimal points and hyphens)
- S9608PLRTRM**
Tub/Shower/Hand Shower Trim with integral volume control, Temptrol Pressure Balancing Shower Valve ordered separately (use when ordering L1-L7 and TC modifications, do not use hyphens or decimal points)

Note:

-To create trim sku, follow the format:
Base SKU -> PLR -> Finish -> Modifier (L1-L7) -> Flow Rate (If lower than standard) -> TRM -> TC (If applicable)
-To create valve & trim sku, follow the format:
Base SKU -> X or CHKS -> PLR -> Finish -> Modifier (L1-L7) -> Flow Rate (If lower than standard)
-For B and REV modifications, contact customer service for your sku

Compliance

- ASME® A112.18.1/CSA® B125.1
- WaterSense® 1.5 gpm & 2.0 gpm compliant
- Lever handle meets ADA requirements for operation
- BAA compliant for S-9608-PLR and S9608PLR only



Certified by
CSA Group



C US



Warranty

Limited Lifetime - for residential installations.
10 Years - for commercial/industrial installations.
Refer to www.symmons.com/warranty for complete warranty information.

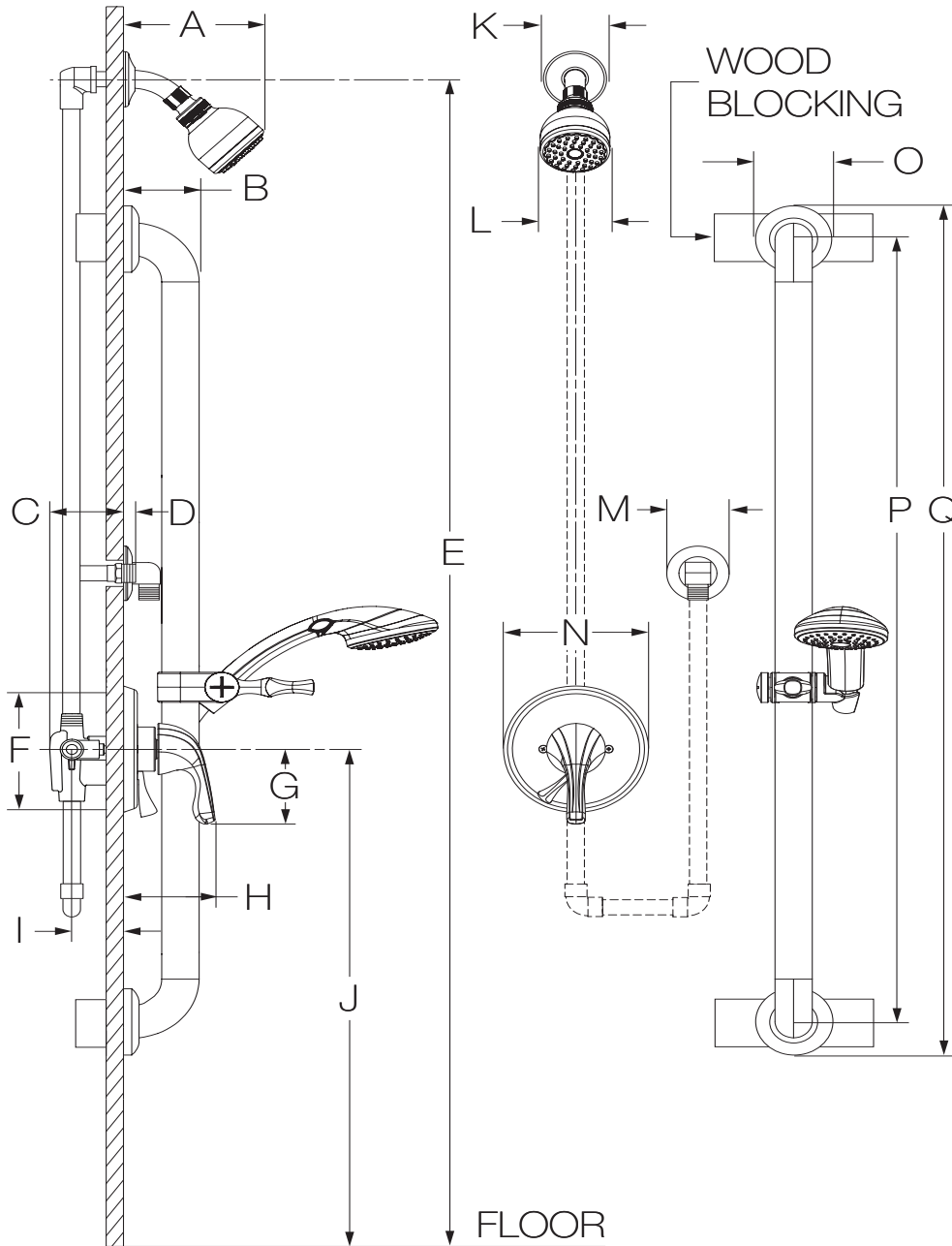


Architectural/Engineering Specification

Symmons Origins _____ With Origins Shower/Hand Shower Trim, Requires Temptrol® Pressure-Balancing Shower Valve, Integral diverter control, Metal lever handle, ADA 36" grab bar for hand shower wand, dual checks for backflow protection, 60" flexible metal hose, single-mode hand shower wand with NPSO, single-mode showerhead with easy to clean nozzles, and standard 2.0 gpm (7.6 L/min) flow rate. Components shall be metal and nonmetal construction, plated in standard Polished Chrome finish. 10-Year Commercial Warranty. ASME A112.18.1/CSA B125.1, WaterSense 1.5gpm (5.7 L/min) & 2.0gpm (7.6 L/min) compliant. Lever handle meets ADA requirements for operation. BAA compliant for S-9608-PLR and S9608PLR only. Available options include: 1.5 = 1.5 gpm (5.7 L/min) flow restrictor, L1 = Less showerhead, L2 = Less hand shower (wand only), L3 = Less showerhead & hand shower wand, L4 = Less head, arm and flange, L5 = Less hand shower system (less bar, hose, wand, and elbow), L7 = Less handle, STN = Satin Nickel finish, B = Brass escutcheon (chrome only), X = Integral service stops, CHKS = Integral check stops, TC = Test Cap Trim.

S-9608-PLR, S-9608-PLR-TRM, S9608PLR, S9608PLRTRM

Dimensions



Measurements	
A	6-3/8", 162 mm
B	3", 76 mm
C	3-1/2", 89 mm
D	Male 1/2" NPT fitting must protrude 3/8" (10 mm) from finished wall
E	Ref. 77", 1956 mm
F	Shower Valve Hole Size Min. Ø 3", 76 mm Max. Ø 4", 102 mm
G	3-3/8", 86 mm
H	3-5/8", 92 mm
I	Rough-in 2-3/8" ± 1/2", 60 mm ± 13 mm
J	Ref. 42", 1067 mm
K	Ø 2-1/2", 64 mm
L	Ø 2-3/4", 70 mm
M	Ø 2-1/2", 64 mm
N	Ø 5-3/4", 146 mm
O	Ø 3-1/8", 79 mm
P	36", 914 mm
Q	39", 991 mm

Notes:

- 1) Valve body and piping not included and shown as reference only.
- 2) Plaster shield (p/n T-176) for dry wall, plaster, or other type walls 1/2" or greater.
- 3) All dimensions measured from nominal rough-in (see I as reference).
- 4) Dimensions subject to change without notice.