

4

3

2

1

D

D

C

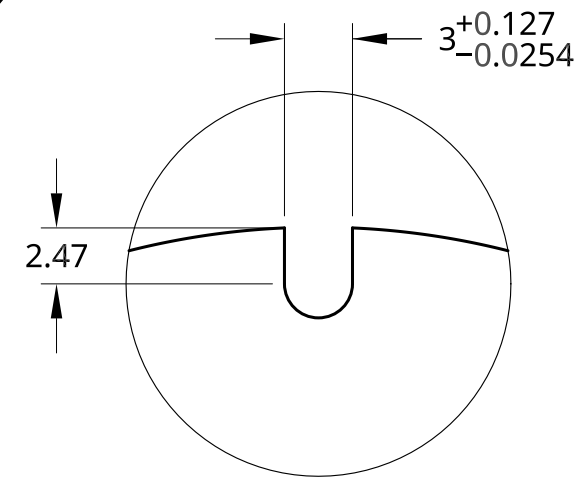
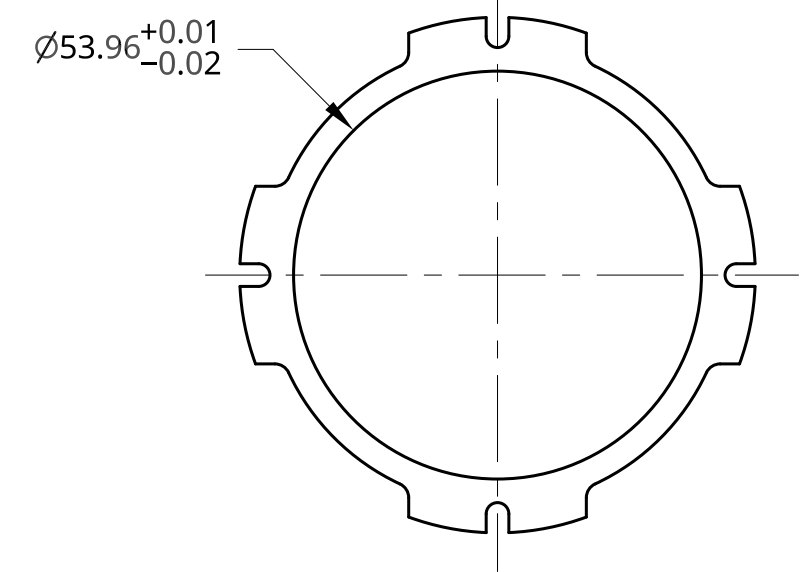
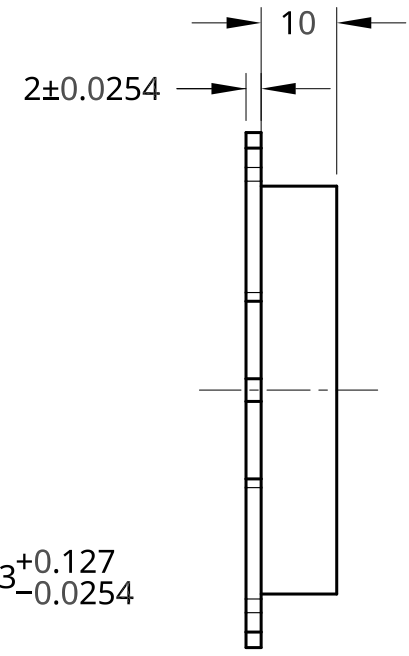
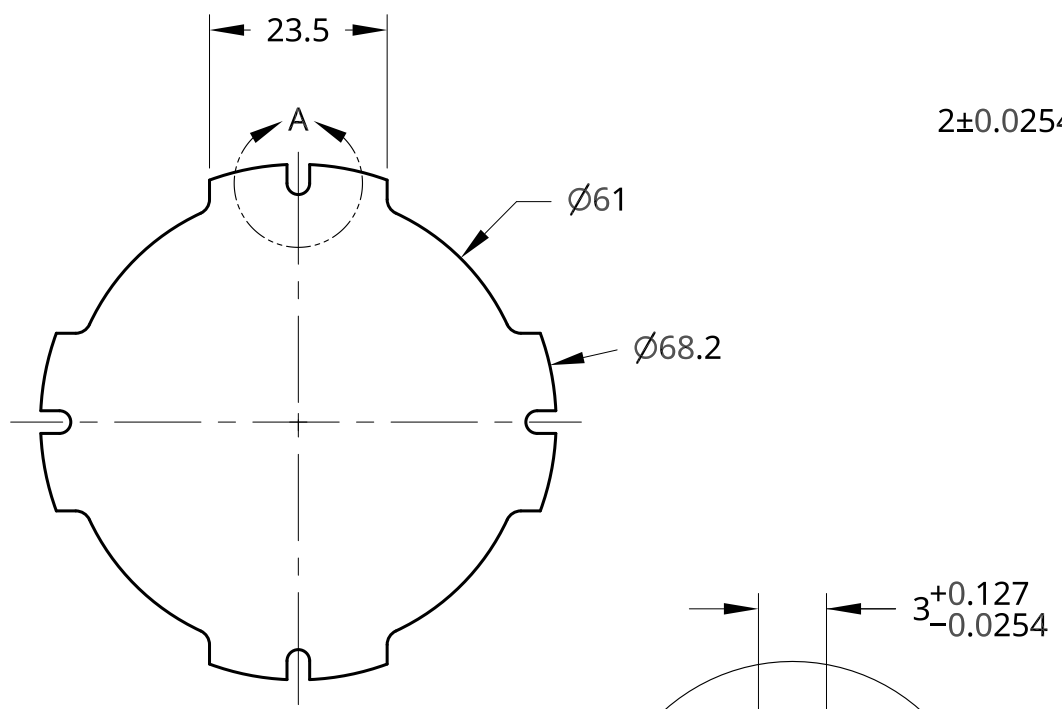
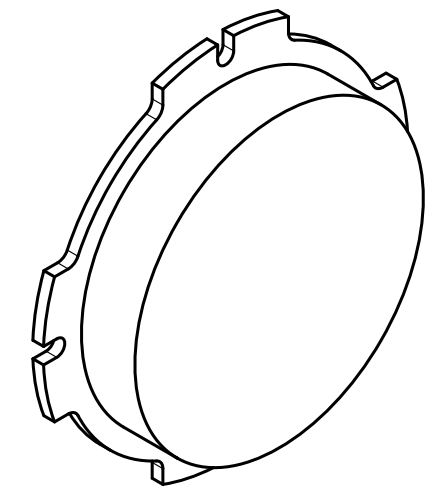
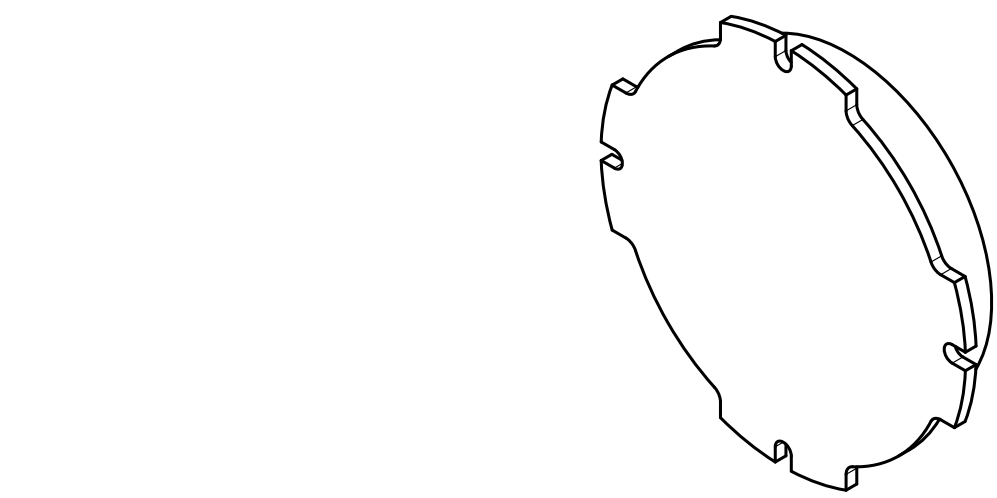
C

B

B

A

A



DETAIL A
SCALE 3:1

UNLESS OTHERWISE SPECIFIED,
DIMENSIONS ARE IN MILLIMETERS

UNLESS OTHERWISE SPECIFIED,
TOLERANCE IS ±0.127

SURFACE FINISH

DO NOT SCALE DRAWING

BREAK ALL SHARP EDGES AND
REMOVE BURRS

THIRD ANGLE PROJECTION

	NAME	DATE
DRAWN	Ted von Bevern	06/30/2018
CHECKED		
APPROVED	---	---
MATERIAL	FINISH	

TITLE		
Basic PL Mount		
SIZE	DWG NO.	REV.
B	----	-
SCALE	WEIGHT	SHEET
1:1		1 of 1

4

3

2

1