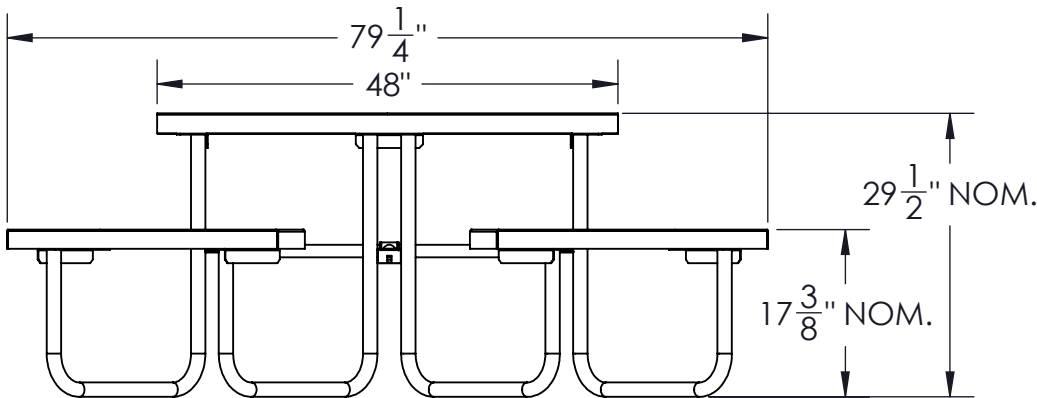


- Table frame design features incorporate a nontip, nontrip & walk-through design.
- The one-piece welded construction frames are fabricated using continuous MIG welds for strength.
- All pipe and tubing conform to ASTM A513-94, and all steel components conform to ASTM-A1011.
- All cross braces are constructed using 1" schedule 40 pipe. (.133" thk wall)
- Table and seat brackets are 1/8" thick (12 ga.) steel.
- Assembly fasteners are 3/8" dia galvanized steel bolts.
- All exposed corners are chamfered for safety.
- Estimated weight:
 13894-5-2-5 = 300lbs
 13894-2-2-5 = 230lbs

TABLE IS AVAILABLE WITH TWO DIFFERENT POWDER COATED FRAMES:

- 13894-2-2-5: 1-1/2" O.D. x .065 WALL TUBE
- 13894-5-2-5: 2-3/8" O.D. x .120 WALL TUBE



CUSTOMER APPROVAL :

DATE :

JAMESTOWN
 ADVANCED
 PRODUCTS
 CORPORATION

THIS DRAWING, WHICH CONTAINS PROPRIETARY INFORMATION, IS THE PROPERTY OF JAMESTOWN ADVANCED PRODUCTS CORPORATION. IT SHALL NOT BE REPRODUCED IN ANY MANNER NOR DISCLOSED TO THIRD PARTIES WITHOUT WRITTEN PERMISSION OF JAMESTOWN ADVANCED PRODUCTS CORPORATION.

DATE : 3/11/09

PRODUCT PART NUMBER : 13894

REV. NO. 1

PRODUCT DESCRIPTION :

48" ROUND PICNIC TABLE

2855 GIRTS ROAD
 JAMESTOWN, NY 14701