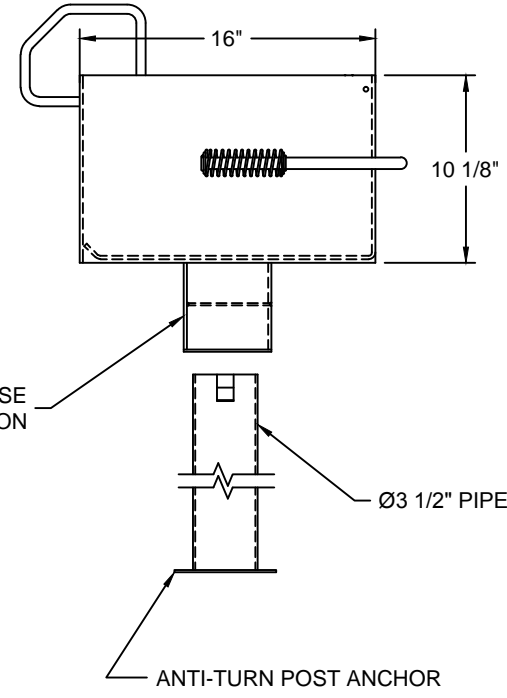
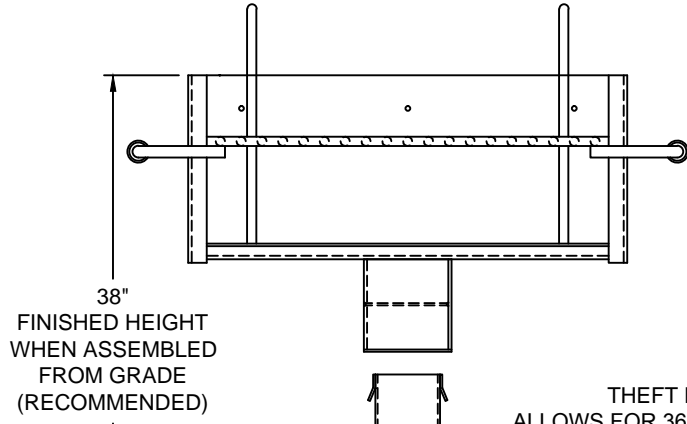


- Firebox is 23 3/4" long x 16" deep x 10 1/8" high constructed of 3/16" thick steel (A1011) with an integral ash retention flange and drain holes.
- Grate is constructed from 1/2" dia. A36 steel bars located on 1 1/8" centers. The fully adjustable theft proof grate has a cooking area of 334 sq. inches and tilts back for easy cleaning.
- Grate handles are constructed from 5/8" dia. A36 steel bars equipped with stay cool spring grips suitable for public use.
- Grill is supported by a heavy duty 3 1/2" dia. pipe to be installed in concrete. A theft proof base allows the grill to attach to the pipe and to rotate a full 360°.
- All joints are continuously welded.
- All exposed corners are chamfered for safety.
- Standard finish is a non-toxic black powder coat.
- Approximate weight = 90 lbs.



NOTE - SUFFICIENT AMOUNT OF CONCRETE SHOULD BE USED TO SECURELY HOLD UNIT IN PLACE FOR INTENDED USE AND ENVIRONMENTAL CONDITIONS

NOTE : CUSTOMER TO PROVIDE CONCRETE (RECOMMENDED)

INSTALLATION INSTRUCTIONS:
 After post is installed in concrete, lower lock box onto the tabs. Align tabs, push down over tabs and rotate 90°, push down over tabs again.

WARNING: MUST BE PERMANENTLY MOUNTED

CUSTOMER APPROVAL : _____ DATE : _____



THIS DRAWING, WHICH CONTAINS PROPRIETARY INFORMATION, IS THE PROPERTY OF JAMESTOWN ADVANCED PRODUCTS CORPORATION. IT SHALL NOT BE REPRODUCED IN ANY MANNER NOR DISCLOSED TO THIRD PARTIES WITHOUT WRITTEN PERMISSION OF JAMESTOWN ADVANCED PRODUCTS CORPORATION.

PRODUCT PART NUMBER : 13813

PRODUCT DESCRIPTION :
 FULLY ADJUSTABLE
 STD. PARK GRILL WITH LARGE FIRE BOX 24" x 16"

DATE : 01/08/09

REV. NO. 2 12/10/15

2855 GIRTS ROAD
 JAMESTOWN, NY 14701