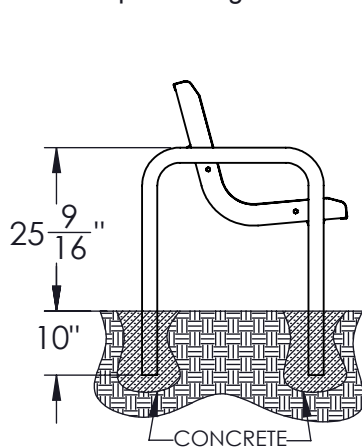
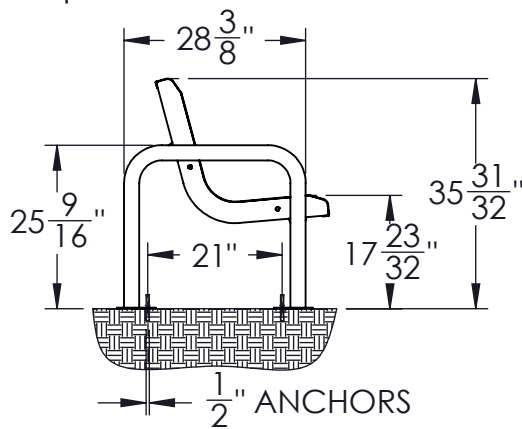


# PERFORATED CONTOUR BENCH

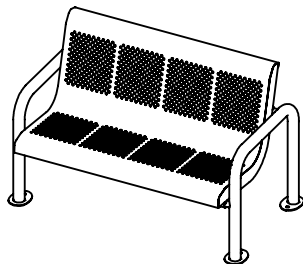
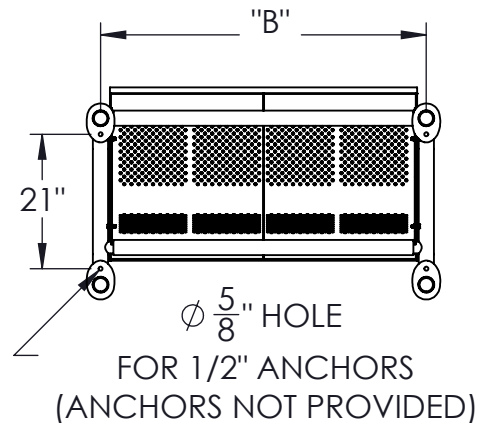
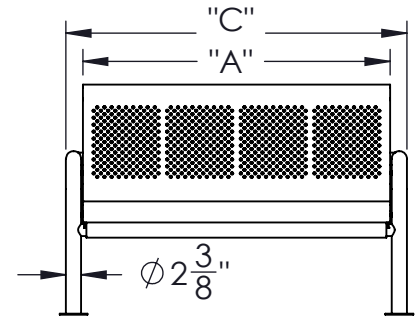
- Comfortable contour seat design.
- Benches are available in 4', 6' and 8' lengths.
- The end frames shall be a one-piece welded construction using 2" schedule 40 pipe and 3/16" thick mounting brackets.
- The seat will also be a one-piece welded construction using 14 ga. perforated steel for seat and 3/16" thick steel for end caps and center support.
- Seat supports will be 2" schedule 40 pipe.
- The end frames and seat bolt together with the 5/16" dia. bolts provided.
- Available in surface or In-Ground mount:
  - Surface mount - (4) 3/16" thick steel mounting plates for 1/2" dia. surface mount anchors (anchors not provided).
  - In-Ground mount - (4) feet posts with a 1" x 5 1/2" 12 ga. steel anchor are embedded in concrete (concrete not provided).
- Available in a standard powder coated finish or a thermoplastic powder coated finish to protect it from the elements:
  - Powder coated paint finish with your choice of colors (available upon request).
  - Thermoplastic powder provides excellent protection against the elements with your choice of blue, red, green or yellow, other colors available upon request. Thermoplastic powder is resistant to stress cracking, adverse weather conditions, detergents, salt spray and typical airborne pollutants. The material maintains excellent adhesion to the metal substrate and provides good abrasion and impact resistance.



**IN-GROUND MOUNT**  
(CONCRETE NOT PROVIDED)



**SURFACE MOUNT**  
(ANCHORS NOT PROVIDED)



### ASSEMBLY INSTRUCTIONS:

Step 1: Stand both sides up right sliding both cross pipes in to their respective spots. (they do not get bolted in place)

Step 2: Slide the bench over the frame (frame to the inside) line up holes & bolt in place.

Part Number	SIZE	MOUNT	"A"	"B"	"C"	APPROX. WEIGHT
13387-1	4FT	SURFACE	48"	50 29/32"	53 9/32"	150 lbs.
13387-2	4FT	IN-GROUND	48"	50 29/32"	53 9/32"	160 lbs.
13387-3	6FT	SURFACE	72"	74 29/32"	77 9/32"	185 lbs.
13387-4	6FT	IN-GROUND	72"	74 29/32"	77 9/32"	195 lbs.
13387-5	8FT	SURFACE	96"	98 29/32"	101 9/32"	220 lbs.
13387-6	8FT	IN-GROUND	96"	98 29/32"	101 9/32"	230 lbs.

**WARNING: MUST BE PERMANENTLY MOUNTED**

CUSTOMER APPROVAL :

DATE :

**JAMESTOWN**  
ADVANCED  
PRODUCTS  
CORPORATION

THIS DRAWING, WHICH CONTAINS PROPRIETARY INFORMATION, IS THE PROPERTY OF JAMESTOWN ADVANCED PRODUCTS CORPORATION. IT SHALL NOT BE REPRODUCED IN ANY MANNER NOR DISCLOSED TO THIRD PARTIES WITHOUT WRITTEN PERMISSION OF JAMESTOWN ADVANCED PRODUCTS CORPORATION.

DATE : 15 JAN 08

PRODUCT PART NUMBER : 13387

REV. NO. 2 12/10/15

PRODUCT DESCRIPTION :

Perforated Contour Bench

2855 GIRTS ROAD  
JAMESTOWN, NY 14701

PHONE 800-452-0639 -- FAX 716-483-5398 -- WWW.JAMESTOWNADVANCED.COM