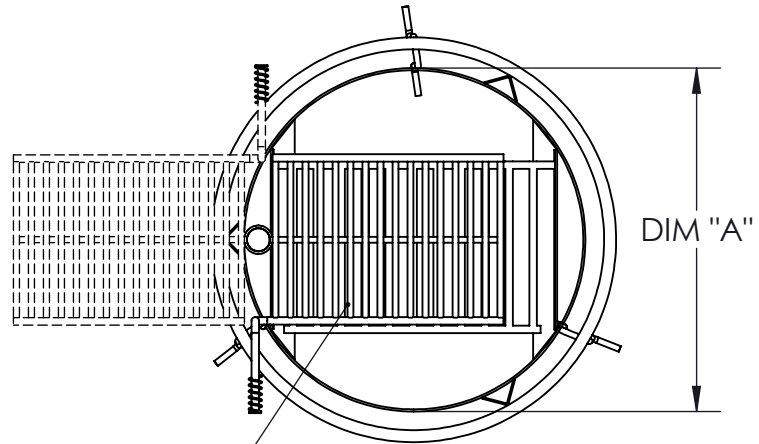


| BASE PART NO. | DIM "A" | DIM "B" | DIM "C" | APPROX. WEIGHT |
|---------------|---------|---------|---------|----------------|
| 14332-1 | 30" | 23-3/8" | 34-7/8" | 275 lbs |
| 14332-2 | 30" | 17-3/8" | 34-7/8" | 245 lbs |
| 14332-3 | 24-5/8" | 17-1/8" | 29-1/2" | 215 lbs |

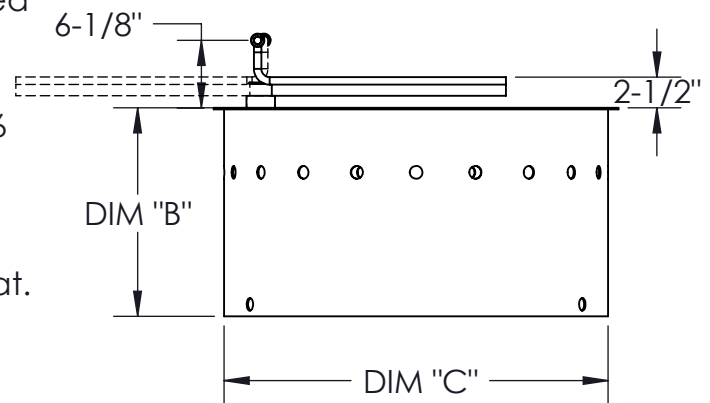


Shown with optional log grate



Grate swivels 180 degrees

- Log grate is constructed of 5/8" A36 steel bar.
- Meets ADA guidelines & uses less than five pounds of force to move the grate.
- Outer ring is constructed of 7ga. steel. This allows for an air gap keeping the outer ring cool.
- Grate handle (never over fire ring) is constructed of 5/8" dia. A36 steel bar with stay cool spring grips suitable for public use.
- Hinged log grate (optional).
- Cooking grate is constructed from 1/2" dia. A36 steel bars located on 1-1/8" center, with a cooking area of 290 square inches.
- All joints are continuously welded.
- All exposed corners are chamfered for safety.
- Standard finish is a non-toxic black powder coat.
- Shown with staple anchors.



WARNING: MUST BE PERMANENTLY MOUNTED

CUSTOMER APPROVAL :

DATE :

JAMESTOWN
ADVANCED
PRODUCTS
CORPORATION

THIS DRAWING, WHICH CONTAINS PROPRIETARY INFORMATION, IS THE PROPERTY OF JAMESTOWN ADVANCED PRODUCTS CORPORATION. IT SHALL NOT BE REPRODUCED IN ANY MANNER NOR DISCLOSED TO THIRD PARTIES WITHOUT WRITTEN PERMISSION OF JAMESTOWN ADVANCED PRODUCTS CORPORATION.

DATE : 08/02/2010

PRODUCT PART NUMBER : 14332

REV. NO. 4 12/10/15

PRODUCT DESCRIPTION : ADA DOUBLE WALL
FIRE RING WITH SWIVEL GRATE

2855 GIRTS ROAD
JAMESTOWN, NY 14701