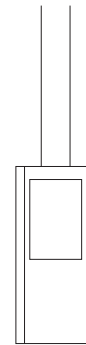
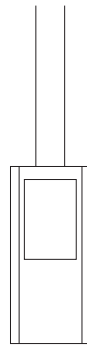


ADVANTAGES

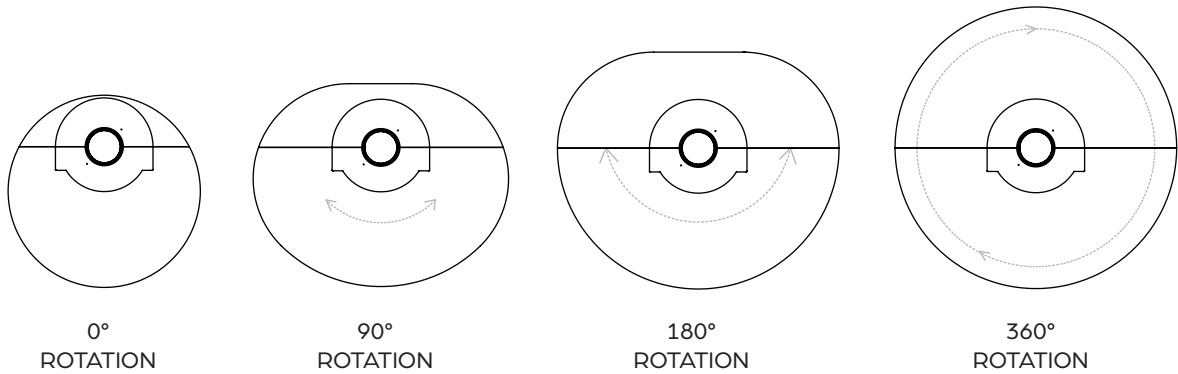
- 3 operation modes
 - 360° rotation
 - Ash pan integrated into the base of the unit
 - Easy to light
 - Generates little ash
- Can be connected to outside air
- Low fine particle emission rate
- Suitable for all types of interiors
- Priority of the view of the fire
- Energy saving
- No more firewood recutting
- Easy to clean



Size	30-compact	30-compact ONE
Max. vertical log lenght	16"	16"
Max. horizontal log lenght	10"	10"
Efficiency	74%	74%
Maximum power (BTU)	31 000	31 000
Heating surface area	900 ft ²	900 ft ²
Firebox size	1.1 ft ³	1.1 ft ³
Fine particle emissions	1.82 g/h	1.82 g/h
Weight	284 lb	248 lb
Outside air duct	ø 4"	ø 4"
3 doors	standard 3 doors	1 glass door only
Revolving base 360°	standard 360°	standard 360°

FLOOR PLATE

POSSIBILITY OF 4 OPTIONS



Stûv 30-compact and 30-compact ONE

Rotation	0°	90°	180°	360°
Size	ø 36"	ø 48" x 38 1/2"	ø 52 7/8" x 44 1/2"	ø 52 7/8"

Note: The floor plates have a thickness of 14 GA.

AVAILABLE COLOR



StûvGrey