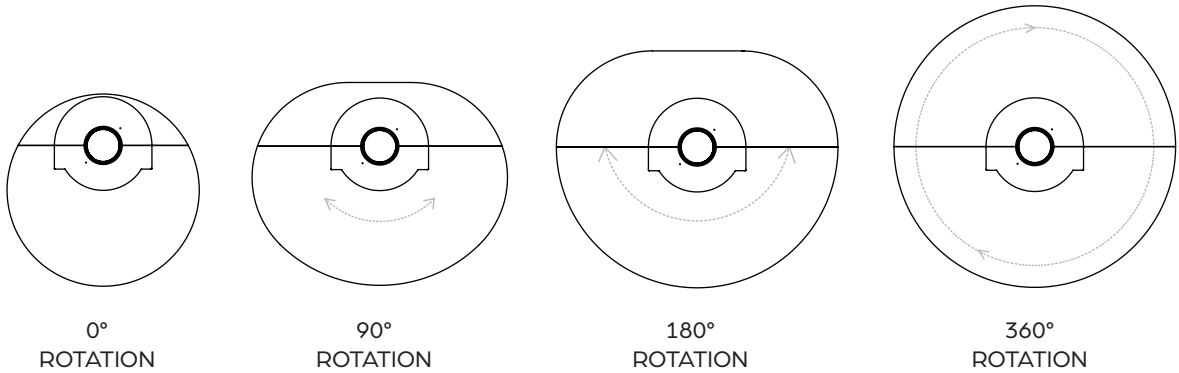


FLOOR PLATE

TECHNICAL SHEET

POSSIBILITY OF 4 OPTIONS

Note: The floor plates have a thickness of 14 GA.



Rotation	0°	90°	180°	360°
Size	ø 36"	ø 48" x 38 1/2"	ø 52 7/8" x 44 1/2"	ø 52 7/8"

AVAILABLE COLOURS



StûvGrey



StûvBlack