

Canoe FLAT Racks Patent Pending

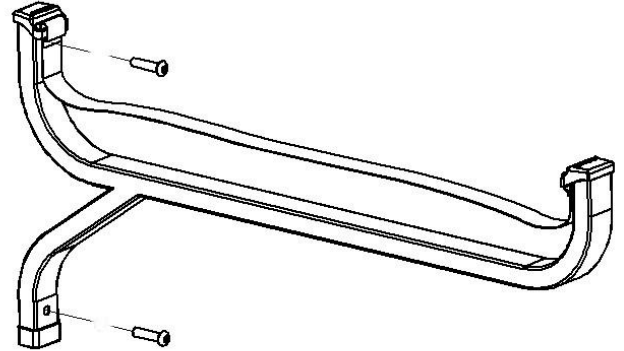
SKU 11-8801

Can be used for Fishing Kayaks, Sit-On-Tops & SUPs

Updated October 2011

Suspensz, Inc. Spacing Chart©

Boat Length	Ideal Tower Spacing (40%)	Min/Max spacing for each kayak (35% / 50%)
8'	3' 2"	2' 10" / 4'
8' 6"	3' 5"	3' / 4' 3"
9'	3' 7"	3' 2" / 4' 6"
9' 6"	3' 10"	3' 4" / 4' 9"
10'	4'	3' 6" / 5'
10' 6"	4' 2"	3' 8" / 5' 3"
11'	4' 5"	3' 10" / 5' 6"
11' 6"	4' 7"	4' / 5' 9"
12'	4' 10"	4' 2" / 6'
12' 6"	5'	4' 5" / 6' 3"
13'	5' 2"	4' 7" / 6' 6"
13' 6"	5' 5"	4' 9" / 6' 9"
14'	5' 7"	4' 11" / 7'
14' 6"	5' 10"	5' 1" / 7' 3"
15'	6'	5' 3" / 7' 6"
15' 6"	6' 2"	5' 5" / 7' 9"
16'	6' 5"	5' 7" / 8'
16' 6"	6' 7"	5' 9" / 8' 3"
17'	6' 10"	5' 11" / 8' 6"
17' 6"	7'	6' 2" / 8' 9"
18'	7' 2"	6' 4" / 9'
18' 6"	7' 5"	6' 6" / 9' 3"
19'	7' 7"	6' 8" / 9' 6"
19' 6"	7' 10"	6' 10" / 9' 9"
20'	8'	7' / 10'
20' 6"	8' 2"	7' 2" / 10' 3"
21'	8' 5"	7' 4" / 10' 6"
21' 6"	8' 7"	7' 6" / 10' 9"
22'	8' 10"	7' 8" / 11'
22' 6"	9'	7' 11" / 11' 3"



Item #	Wall Mount Parts List	Qty
1	Flat Rack Arm	2
2	Safety Strap (not shown)	2
3	Phillips Head Screw	4

Tools required:

1. Measuring tape
2. Pencil to mark the hole positions
3. Electric drill to set the pilot holes
4. 3/16" Drill bit to set the pilot holes
5. Phillips Head Screwdriver
6. Bar of soap

Mounting of Rack:

1. Use the Spacing Chart above as a guideline to determine the distance between each Canoe Flat Rack arm.
2. Be sure to mount the Canoe Flat Rack arms into a stud. **Screwing only into drywall is not sufficient and could result in injury to self and canoe.**
3. Pre-drill pilot hole for Phillips Head screw using 3/16" drill bit.
4. Rub soap on the screw threads for ease of installation.
5. Mount each Canoe Flat Rack per the drawing above.

Strap Adjustment and Use:

1. After the racks have been attached to the wall, place your boat on Suspension Straps. Note: The Wall Mount Rack will hold a boat 34" wide, whereas the Free-Standing Rack will hold a boat 36" wide.
2. Adjust each strap, using the Velcro fasteners, so the boat is suspended about 1 inch above the bar.
3. Place safety strap (not shown) over your boat, clip buckles together then pull safety straps to achieve a snug fit.

Guarantee

All Suspensz products are guaranteed for one year for materials and workmanship. The guarantee is affective to the original owner and if the product was cared for and used in the manner it was intended. Contact Suspensz directly with any questions.

www.suspensz.com



Suspensz Inc.
 8725 Roswell Road #0-220
 Atlanta GA 30350
 770-518-0045

KAYAK-CANOE
storage racks

SUSPENZ™