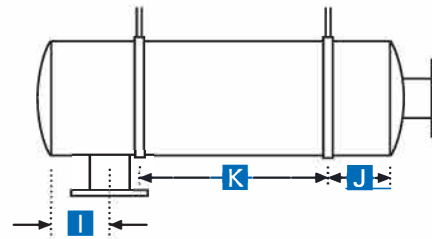
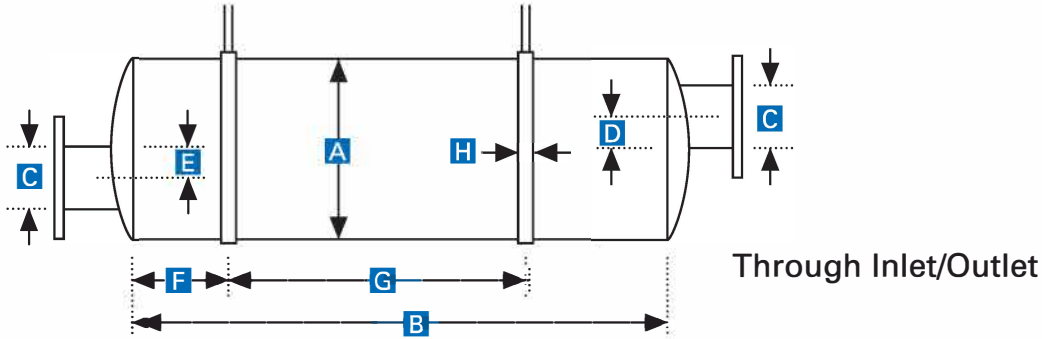




REQUIRED SILENCER INFORMATION



ALL SILENCER VERSIONS

A	∅	
B	Weld to weld length	
C	Inlet/outlet OD	
D	Outlet offset (O if N/A)	

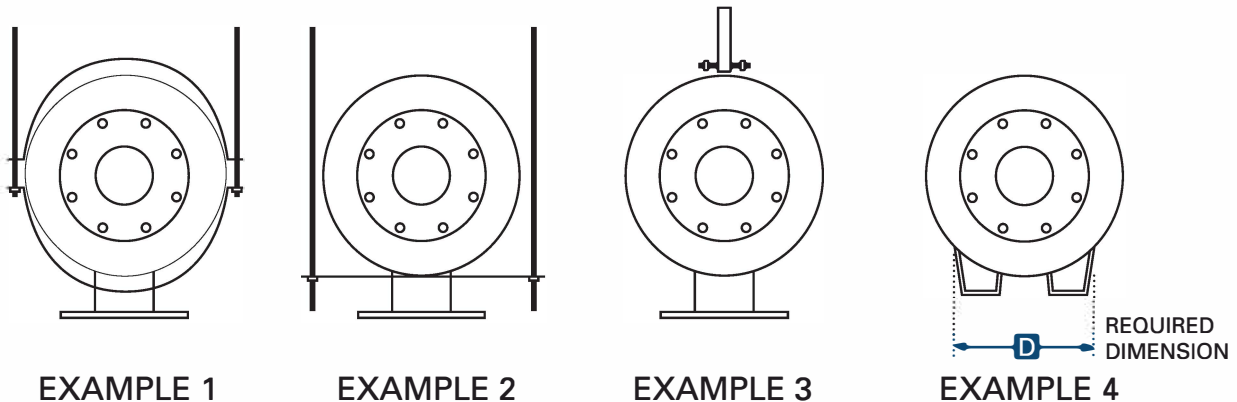
THRU INLET/OUTLET VERSION ONLY

E	Inlet offset (O if N/A)	
F	Support 1 Offset (if applicable)	
G	Support 2 Offset (if applicable)	
H	Support width	

SIDE INLET VERSION ONLY

I	Inlet offset	
J	Support 1 Offset (if applicable)	
K	Support 2 Offset (if applicable)	

TYPICAL SILENCER HANGER/SUPPORT DRAWING



Please indicate the relevant support system.